

# JET

**JWL-1221-M**

**WOOD LATHE**

Original:

**GB**  
**Operating Instructions**

Translations:

**D**  
**Gebrauchsanleitung**

**F**  
**Mode d'emploi**



**TOOL FRANCE SARL**  
9 Rue des Pyrénées  
91090 Lisses  
France

[www.jettools.com](http://www.jettools.com)



M- JWL-1221-M

2019-01

**CE-Conformity Declaration**  
**CE-Konformitätserklärung**  
**Déclaration de conformité CE**

**Product / Produkt / Produit:**  
Wood lathe / Drehselbank / Tour à bois

**JWL-1221-M**

**Brand / Marke / Marque:**  
JET

**Manufacturer / Hersteller / Fabricant:**  
TOOL FRANCE SARL, 9 Rue des Pyrénées, 91090 Lisses  
France / Frankreich / France

We hereby declare that this product complies with the regulations  
Wir erklären hiermit, dass dieses Produkt der folgenden Richtlinie entspricht  
Par la présente, nous déclarons que ce produit correspond aux directives suivantes

2006/42/EC  
Machinery Directive / Maschinenrichtlinie / Directive Machines

2014/30/EU  
electromagnetic compatibility / elektromagnetische Verträglichkeit / compatibilité électromagnétique

designed in consideration of the standards  
und entsprechend folgender zusätzlicher Normen entwickelt wurde  
et été développé dans le respect des normes complémentaires suivantes

**EN ISO 12100:2010**  
**EN 60204-1:2006+A1:2009**  
**EN 61000-3-2:2014**  
**EN 61000-3-3:2013**  
**EN 55014-1:2006+A1:2009+A2:2011**  
**EN 55014-2:1997+A1:2001+A2:2008**

Responsible for the Documentation / Dokumentations-Verantwortung / Responsabilité de Documentation:

Head Product-Mgmt / Leiter Produkt-Mgmt./ Resp. de Gestions Produits

TOOL France SARL



2019-01-23 Christophe Saint Sulpice

TOOL FRANCE SARL, 9 Rue des Pyrénées, 91090 Lisses  
France / Frankreich / France

# GB - ENGLISH

## Operating Instructions

Dear Customer,

Many thanks for the confidence you have shown in us with the purchase of your new JET-machine. This manual has been prepared for the owner and operators of a JET **JWL-1221-M wood lathe** to promote safety during installation, operation and maintenance procedures. Please read and understand the information contained in these operating instructions and the accompanying documents. To obtain maximum life and efficiency from your machine, and to use the machine safely, read this manual thoroughly and follow instructions carefully.

### ...Table of Contents

#### 1. Declaration of conformity

#### 2. Warranty

#### 3. Safety

Authorized use  
General safety notes  
Remaining hazards

#### 4. Machine specifications

Machine description  
Technical data  
Noise emission  
Contents of delivery

#### 5. Transport and start up

Transport and installation  
Assembly  
Mains connection  
Dust collection  
Starting operation

#### 6. Machine operation

Correct operating position  
Tool selection  
Speed selection  
Turning between centres  
Bowl turning  
Sanding and Finishing

#### 7. Setup and adjustments

Changing spindle speed  
Installing work holding  
Adjusting tool rest  
Adjusting tailstock  
Spindle index

#### 8. Maintenance and inspection

Adjusting bed clamping  
Changing belt

#### 9. Trouble shooting

#### 10. Environmental protection

#### 11. Accessories

### 1. Declaration of conformity

On our own responsibility we hereby declare that this product complies with the regulations listed on page 2.

### 2. Warranty

TOOL France SARL guarantees that the supplied product(s) is/are free from material defects and manufacturing faults.

This warranty does not cover any defects which are caused, either directly or indirectly, by incorrect use, carelessness, damage due to accidents, repairs or inadequate maintenance or cleaning as well as normal wear and tear.

Further details on warranty (e.g. warranty period) can be found in the General Terms and Conditions (GTC) that are an integral part of the contract.

These GTC may be viewed on the website of your dealer or sent to you upon request.

TOOL France SARL reserves the right to make changes to the product and accessories at any time.

### 3. Safety

#### 3.1 Authorized use

This wood lathe is designed for turning wood only. Machining of other materials is not permitted and may be carried out in specific cases only after consulting with the manufacturer.

The workpiece must allow to safely be loaded and supported.

The proper use also includes compliance with the operating and maintenance instructions given in this manual.

The machine must be operated only by persons familiar with its operation and maintenance and who are familiar with its hazards.

The required minimum age must be observed.

The machine must only be used in a technically perfect condition.

When working on the machine, all safety mechanisms and covers must be mounted.

In addition to the safety requirements contained in these operating instructions and your country's applicable regulations, you should observe the generally recognized technical rules concerning the operation of woodworking machines.

Any other use exceeds authorization.

In the event of unauthorized use of the machine, the manufacturer renounces all liability and the responsibility is transferred exclusively to the operator

### 3.2 General safety notes

Woodworking machines can be dangerous if not used properly. Therefore the appropriate general technical rules as well as the following notes must be observed.



Read and understand the entire instruction manual before attempting assembly or operation.



Keep this operating instruction close by the machine, protected from dirt and humidity, and pass it over to the new owner if you part with the tool.

No changes to the machine may be made.

Daily inspect the function and existence of the safety appliances before you start the machine.  
Do not attempt operation in this case, unplug.

Remove all loose clothing and confine long hair.

Before operating the machine, remove tie, rings, watches, other jewellery, and roll up sleeves above the elbows.

**Wear safety shoes;** never wear leisure shoes or sandals.

Always wear the approved working outfit:

- safety goggles
- ear protection
- dust protection



**Do not wear gloves** while operating this machine.



Install the machine so that there is sufficient space for safe operation and workpiece handling.

Keep work area well lighted.

The machine is designed to operate in closed rooms and must be placed stable on firm and levelled table surface.

Make sure that the power cord does not impede work and cause people to trip.

Keep the floor around the machine clean and free of scrap material, oil and grease.

Stay alert, give your work undivided attention.

Use common sense. Do not operate the machine when you are tired.

Do not operate the machine under the influence of drugs, alcohol or any medication. Be aware that medication can change your behaviour.



Keep an ergonomic body position.

Maintain a balanced stance at all times.

Never reach into the machine while it is operating or running down.



Keep children and visitors a safe distance from the work area.

Never leave a running machine unattended. Before you leave the workplace switch off the machine.

Do not operate the electric tool near inflammable liquids or gases.

Observe the fire fighting and fire alert options, for example the fire extinguisher operation and place.

Do not use the machine in a damp environment and do not expose it to rain.

Wood dust is explosive and can also represent a risk to health.

Dust from some tropical woods in particular, and from hardwoods like beach and oak, is classified as a carcinogenic substance.

Always use a suitable dust collection device

Before machining, remove any nails and other foreign bodies from the workpiece.

Make sure to guide and hold the chisel with both hands safe and tight during machining.

Work only with well sharpened tools.

Machine only stock which is chucked securely on the machine, always check before switching the machine on.

Provide workpieces with centre holes before clamping between centres.

Work large and unbalanced workpieces at low spindle speed only.

When sanding, remove the tool rest from the machine.

Workpieces with cracks may not be used.

Use homogenous workpieces only.

Check the workpiece carefully for splits, knots or other obstructions which may cause a safety risk while turning.

Remove the chuck key or dowel pins before turning the machine on.

Always close the belt cover.

Specifications regarding the maximum or minimum size of the workpiece must be observed.

Test each set-up by revolving the work by hand to insure it clears the tool rest and bed. Check setup at the lowest speed before you increase to the operating speed.

Do not remove chips and workpiece parts until the machine is at a standstill.

Never stop work pieces with the hand during run out.

Do not attempt to engage the spindle lock pin until the spindle has stopped.

Never take measurements on a rotating workpiece.

Do not stand on the machine.

Connection and repair work on the electrical installation may be carried out by a qualified electrician only.



Have a damaged or worn power cord replaced immediately.

Make all machine adjustments or maintenance with the machine unplugged from the power source.



Make sure all levers and locking handles are tightened before operating the lathe.

### 3.3 Remaining hazards

When using the machine according to regulations some remaining hazards may still exist.

The rotating workpiece can cause injury.

Workpieces that are inhomogeneous or weak can explode when being processed due to centrifugal force.

Only process selected woods without defects.

Unbalanced workpieces can be hazardous.

Injuries can occur when feeding tooling, if tool supports are not correctly adjusted or if turning tools are blunt.

Risk of kickback. The tooling is caught by the rotating workpiece and thrown back to the operator.

Thrown workpieces and workpiece parts can lead to injury.

Dust and noise can be health hazards. Be sure to wear personal protection gear such as safety goggles and dust mask. Use a suitable dust collection system. Work in a well-ventilated area.

The use of incorrect mains supply or a damaged power cord can lead to injuries caused by electricity.

## 4. Machine specifications

### 4.1 Machine description

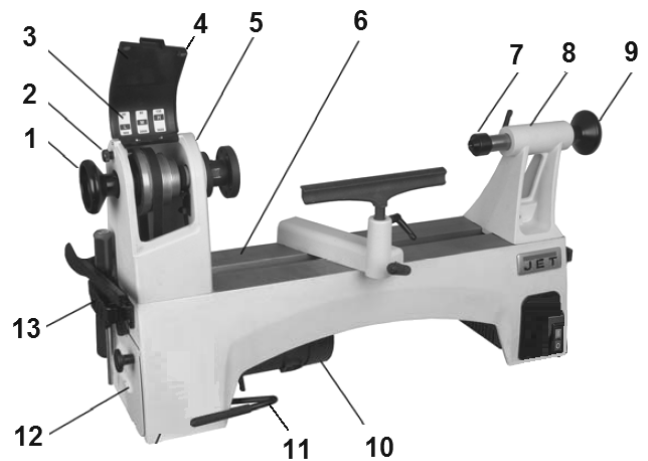


Fig 1

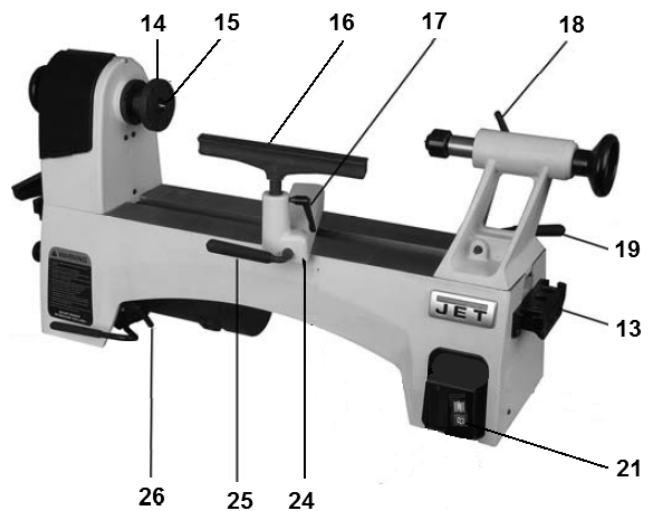


Fig 2

- 1 Spindle handwheel
- 2 Index pin
- 3..Speed chart
- 4..Upper pulley cover
- 5 Headstock
- 6 Bed
- 7..Live centre
- 8 Tailstock
- 9 Tailstock handwheel
- 10 Motor
- 11..Belt tension lever
- 12 Lower pulley cover
- 13..Tool caddy / cord wrap
- 14 Face plate
- 15 Spur centre
- 16 Tool rest
- 17 Tool rest locking handle
- 18..Quill locking handle
- 19 Tailstock locking handle
- 21 On/Off switch
- 24 Tool rest base
- 25 Tool rest base locking handle
- 26 Belt tension release handle

## 4.2 Technical data

Swing over bed	318mm
Swing over tool rest base	240mm
Centre distance	500mm
Number of spindle speeds	6
	360, 850, 1230, 1510, 2180, 3280 rpm
Spindle nose	M33x3,5 DIN 800
Headstock spindle taper	MT 2
Spindle indexing	24x15°
Spindle hole diameter	9,5mm
Tailstock spindle taper	MT 2
Tailstock hole diameter	9,5mm
Tailstock ram travel	57mm
Centre above workbench	375mm
Overall (LxWxH)	853x280x450mm
Net weight	55 kg
Mains	1~230V, PE, 50Hz
Motor power	0,56kW (0,75 HP)
Reference current	2,7 A
Extension cord (H07RN-F):	3x1,5mm <sup>2</sup>
Installation fuse protection	10A
Isolation class	I

## 4.3 Noise emission

Acoustic pressure level (EN ISO 11202):	
Idling	LpA 67,4 dB(A)
In operation	LpA 76,5 dB(A)

The specified values are emission levels and are not necessarily to be seen as safe operating levels. As workplace conditions vary, this information is intended to allow the user to make a better estimation of the hazards and risks involved only.

## 4.4 Content of delivery

Live centre  
Spur centre  
tooling knockout bar  
Tool caddies / Cord wrap  
150 mm tool rest  
250 mm tool rest  
75 mm face plate  
Operating tools  
Operating manual  
Spare parts list.

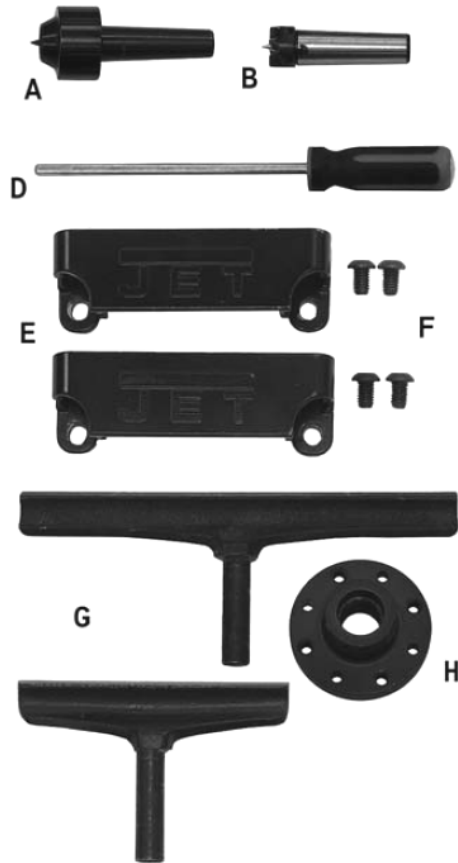


Fig 3

## 5. Transport and start up

### 5.1 Transport and installation

The machine is designed to operate in closed rooms and must be placed stable on firm and levelled surface.

For safety reasons, the machine must be bolted to the work bench or to the optional stand.

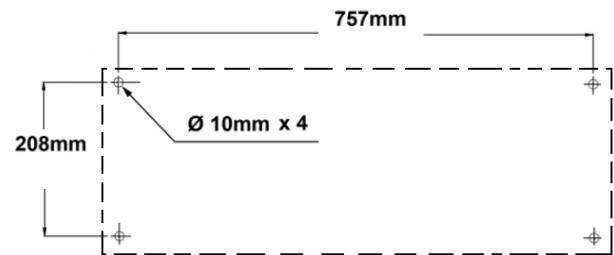


Fig 4

For packing reasons the machine is not completely assembled

### 5.2 Assembly

If you notice transport damage while unpacking, notify your supplier immediately. Do not operate the machine!

Dispose of the packing in an environmentally friendly manner.

Clean all rust protected surfaces with a mild solvent.

**Install the tool caddies:**

mount a tool caddy on each end of the lathe with two pan head screws (Fig 5).



Fig 5

**5.3 Mains connection**

Mains connection and any extension cords used must comply with applicable regulations. The mains voltage must comply with the information on the machine licence plate.

The mains connection must have a 10A surge-proof fuse.

Only use power cords marked H07RN-F

Connections and repairs to the electrical equipment may only be carried out by qualified electricians.

**5.4 Dust collection**

Use a suitable dust collection and air filtration system to avoid high dust concentrations in the air.

**5.5 Starting operation**

You can start the machine with the green ON-button (B, Fig 6).



Fig 6

The machine will stop when you push the red OFF-button (C). Wait for the workpiece to come to a complete stop.

The spindle speeds are controlled by the position of the belt on the pulleys (Fig 7).

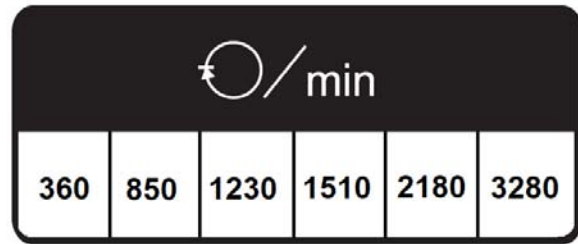


Fig 7

**6. Machine operation**

**6.1 Correct operating position**

Always support the tool on the tool rest and guide with the palm of your hand keeping your fingers closed. (see Fig 8)

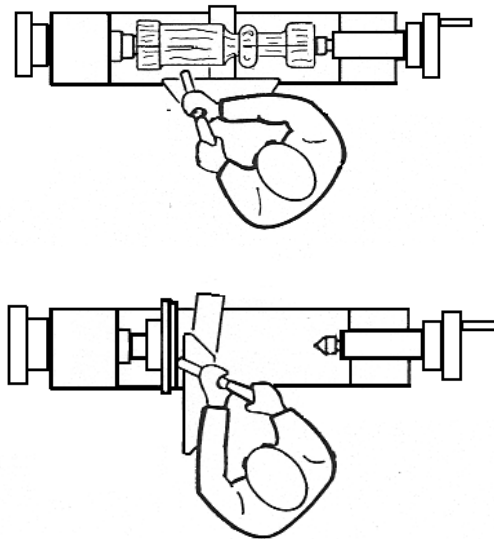


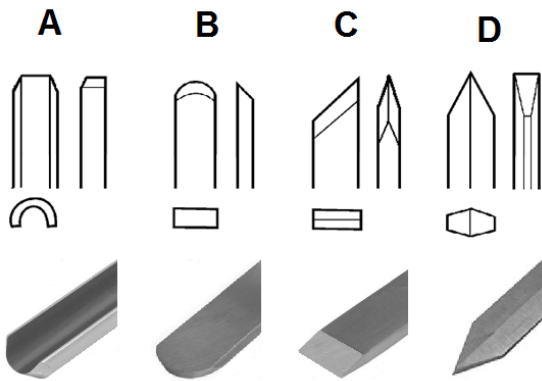
Fig 8

**6.2 Tool selection**

Successful wood turning does not result from high speeds, but rather, from the correct use of turning tools.

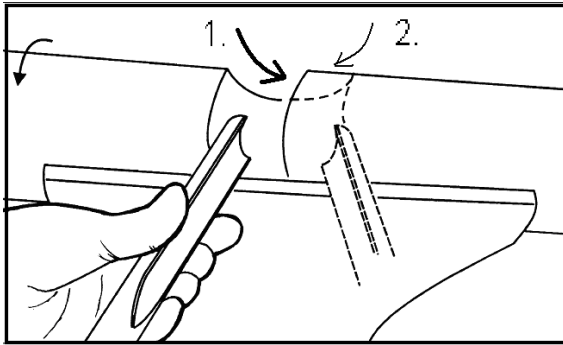
A perfect and sharp wood turner tool is a precondition for professional wood-turning.

**Major tools:**



**Fig 9**

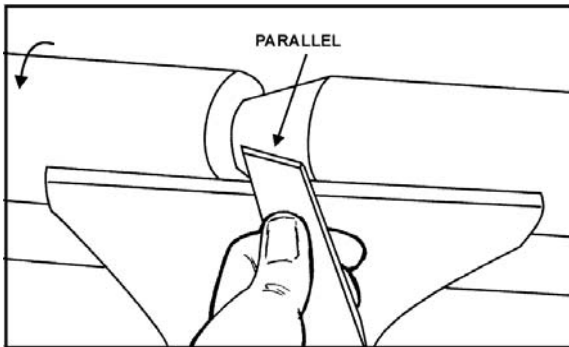
**Gouge (A, Fig 9)**, used for rapidly cut raw wood into round stock, for turning bowls and plates, for turning beds, coves and other detail (Fig 10).



**Fig 10**

**Scraper (B, Fig 9)**, used for diameter scraping and to reduce ridges.

**Skew Chisel (C, Fig 9)**, used to make vees, beads, etc. (Fig 11). The bevel of skew is parallel to the cut.



**Fig 11**

**Parting tool (D, Fig 9)**, used to cut directly into the material, or to make a cut off. Also used for scraping and to set diameters.

**6.3 Speed selection:**

Use low speeds for roughing and for large diameter work. If vibrations occur, stop the machine and correct the cause.

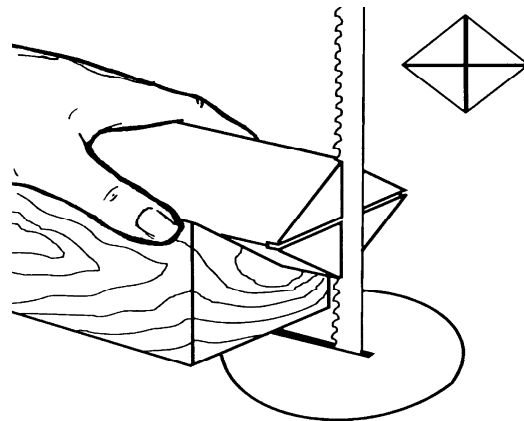
**Speed recommendations**

Workpiece Diameter mm	Roughing RPM	General Cutting RPM	Finishing RPM
< 50	1510	2180	3280
50-100	850	1510	2180
100-150	850	1230	1510
150-200	360	850	1230
200-320	360	360	850

**Fig 12**

**6.4 Turning between centres**

With a ruler locate and mark the centre on each end. Put a dimple in each end of the stock. Extremely hard woods may require kerfs cut into the spur drive end of stock (see Fig 13).



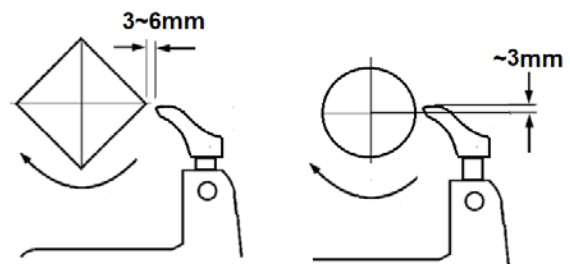
**Fig 13**

Mount the centred workpiece between the spur drive centre and the tailstock mounted live centre

Turn the tailstock hand wheel until the live centre well penetrates the workpiece. Reverse the hand wheel by one quarter turn and lock the tailstock spindle.

Turn the workpiece by hand to see if it rests securely between centres and can be rotated freely.

For turning between centres the tool rest is set approximately 3mm higher than centre line (Fig 14 and 15).



**Fig 14**



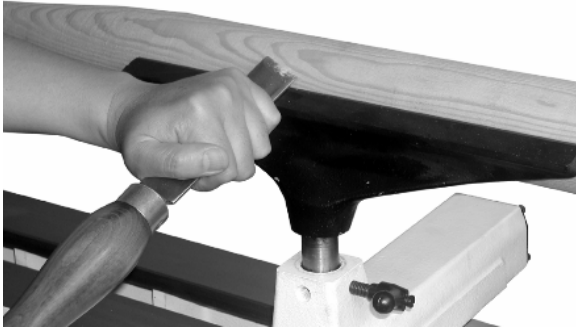


Fig 15

### 6.5 Bowl turning

Turn outside of bowl between centres.

Turn a short tenon the size of the hole in the faceplate (T, Fig 16). This will allow centring the workpiece.

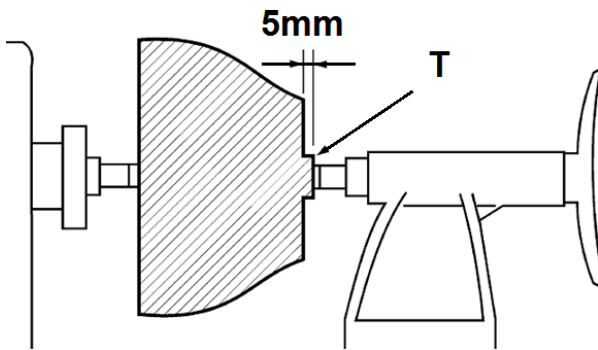


Fig 16

Mount the workpiece (A, Fig 17) directly to the face plate using 4 wood screws (C) from the back. Be careful to use screws short enough not to interfere with the cutting process but long enough to hold the workpiece securely to the face plate.

If screw mounting is not allowed at all, the work may be glued to a backing block (D) and the backing block screwed to the face plate. A piece of paper in the glue joint will prevent damaging the wood when separated later.

Mount the face plate with the workpiece already attached onto the spindle nose thread and hand tighten.

Move tailstock away, remove centre from tailstock to prevent injury.

Turn the workpiece by hand to see if it rests securely and can be rotated freely.

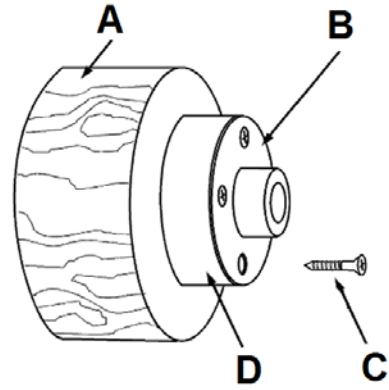


Fig 17

For face plate turning the tool rest is set slightly lower than centre line.

#### Caution:

Cut with your chisel on the left side of the turning centre only.

Use left hand to control cutting edge of gouge, while right hand swings tool handle around toward your body (Fig 18).

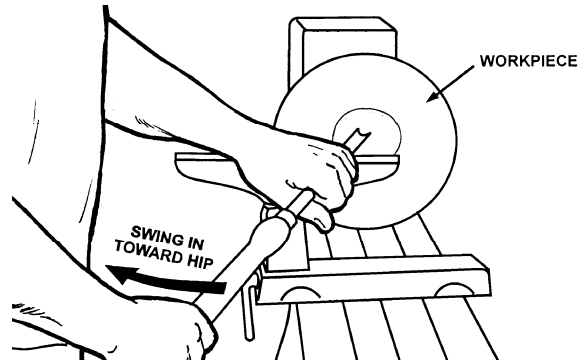


Fig 18

Try to make one, very light continuous movement from the rim to the bottom of the bowl to ensure a clean, sweeping curve through the workpiece.

Move tool support to the exterior to re-define bottom of bowl.

### 6.6 Sanding and Finishing

Remove the tool rest and begin with a fine grit sandpaper (120 grit) and progress through each grit, using only light pressure.

Use power sanding techniques to avoid concentric sanding marks.

Finish sanding with 220 grit.

Apply first coat of finish. Allow to dry before sanding again with 320 or 400 grit sandpaper.

Turn lathe back on and make a separation cut through the base. Stop at about dia. 80mm and use a fine tooth saw to separate the bowl from the waste.

Apply additional finish coats and allow to dry before buffing.

## 7. Setup and adjustments

### General note:

Setup and adjustment work may only be carried out after the machine is protected against accidental starting by pulling the mains plug.

Make sure all levers and locking handles are tightened before operating the lathe.

### 7.1 Changing spindle speed

Disconnect the machine from the power source (unplug) !

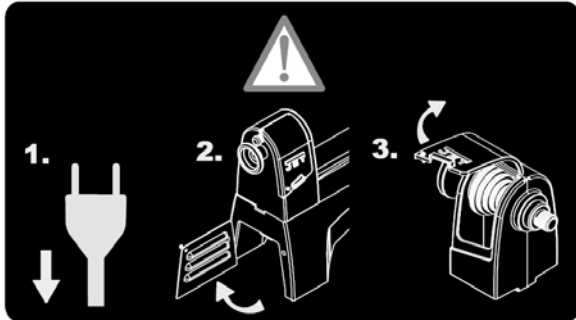


Fig 19

Loosen the locking screw and open the lower pulley cover.

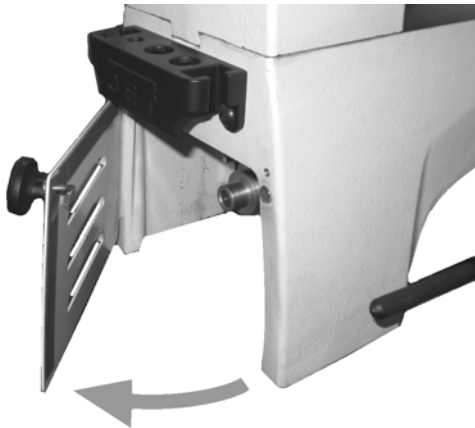


Fig 20

Loosen the locking screw and open the upper pulley cover.



Fig 21

Take tension off the belt. Pull handle (F, Fig 22) and lift the lever (G).

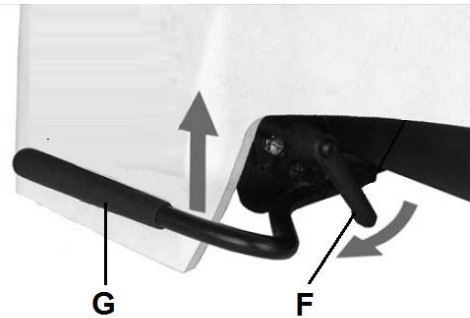


Fig 22

You can now position the belt in the desired speed.

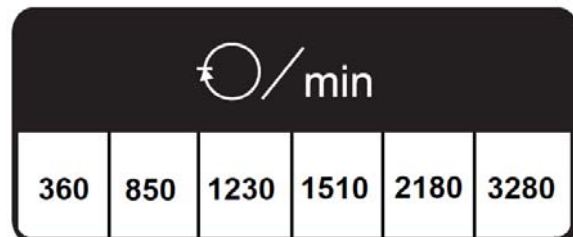


Fig 23

Make sure belt is properly seated in both pulleys.

Push lever (G) down to tighten the belt.

Close and lock the pulley covers.

**⚠️ WARNING**  
Keep pulley covers closed during operation.

## 7.2 Installing work holding

Disconnect the machine from the power source (unplug).

**The faceplate** is used for tuning bowls. There are a number of holes for mounting the workpiece.

Make sure the two sets screws (B, Fig 24) in the face plate have been backed out.

Push in spindle lock (A)

Thread the faceplate onto the spindle in a clockwise direction, and tighten.

Tighten the two set screws (B).

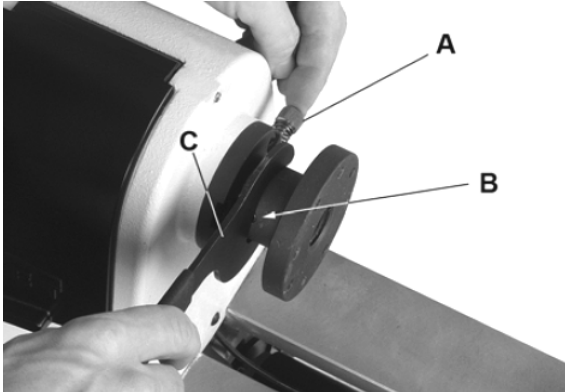


Fig 24

Remove the faceplate by loosening the two set screws (B). Push in the spindle lock and use the provided tool (C).

**Caution:** always cut with your chisel on the left half of the workpiece only.

Never press the spindle lock while the spindle is turning!

**The spur centre** is used to hold workpieces between centres.

Make sure the mating surfaces are clean.

Push the spur centre into the spindle.



Fig 25



Fig 26

To remove, use the knockout bar to tap out the spur centre. Hold spur centre to prevent it from falling (Fig 26).

**The live centre** is used to hold a workpiece between centres.

Make sure the mating surfaces are clean.

Push the live centre into the quill.



Fig 27

To remove, rotate handwheel counter-clockwise to retract quill, until centre releases from quill (Fig 27).

## 7.3 Adjusting tool rest

Position the tool rest (C, Fig 28) as close to the workpiece as possible. Tighten handle (A) to lock.



Fig 28

Set the height to approximately 3mm above centre. Tighten indexable knob (B).

#### 7.4 Adjusting tailstock

Turn the hand wheel (E, Fig 29) clockwise to move tailstock quill forward. Lock quill with the indexable knob (D).



Fig 29

The handle (C) locks the tailstock in position on the bed.

The live centre can be ejected by turning the hand wheel counter-clockwise.

The live centre pin can be removed to allow deep hole drilling operations.

**Caution:** Do not position tailstock over the edge of bed. This will result in less clamping surface and increase risk of injury.

#### 7.5 Spindle index

The index feature allows you to cut evenly spaced features in a workpiece while keeping the Lathe spindle locked.

The lathe provides 24 index positions.

These are identified by numbers on the spindle pulley (H, Fig 30).

Thread index pin (J) into the headstock. Make sure that it locates in one of the pulley holes.

Note: A 3mm hex key (K) can be used to help tighten/loosen the index pin.

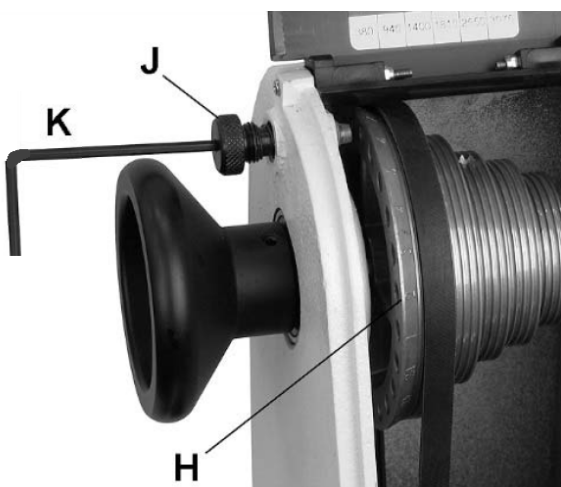


Fig 30

#### Caution:

Release index pin before turning on the lathe.  
Never press the index pin while the spindle is turning.

### 8. Maintenance and inspection

#### General notes:

**Maintenance, cleaning and repair work may only be carried out after the machine is protected against accidental starting by pulling the mains plug.**

Clean the machine regularly (wear eye and dust protection)

Inspect the proper function of the dust collection.

Protect headstock spindle, tailstock quill, tool rest post and machine bed from rust, by applying thin coat of oil or rust protectorant.

Defective safety devices must be replaced immediately.

Repair and maintenance work on the electrical system may only be carried out by a qualified electrician

#### 8.1 Adjusting bed clamping

If adjustment is needed, slide the tailstock or toolrest to the edge of the bed and slightly turn the cam lock nut (B, Fig 28).

Test the clamping function and repeat if necessary.

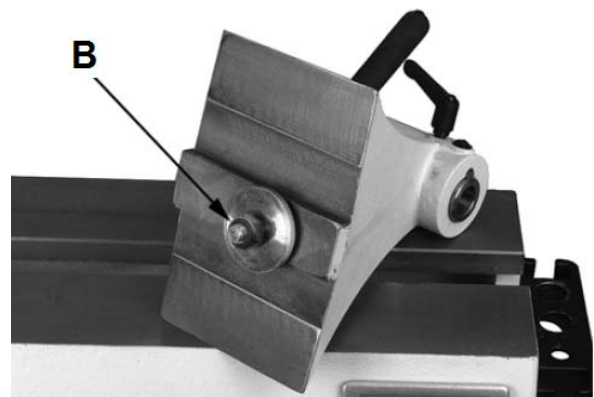


Fig 31

#### 8.3 Changing belt

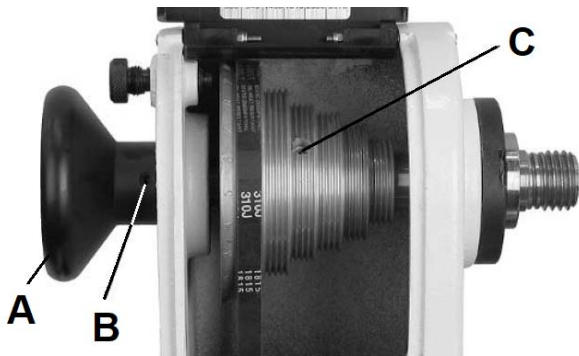
**Disconnect the machine from the power source (unplug) !**

Open the pulley covers and remove the Poly-V belt from the lower pulley.

Loosen two set screws (B, Fig 33) and unscrew the hand wheel (A).

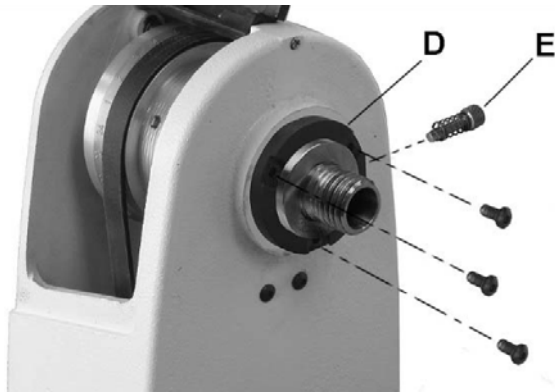
Note: Left hand thread, turn clockwise to remove.

Loosen two set screws (C) in spindle pulley.



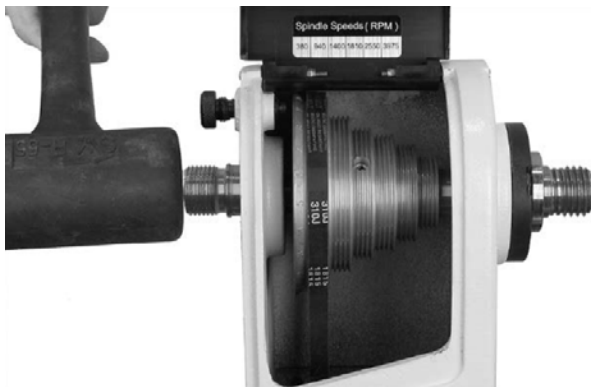
**Fig 33**

Remove bearing cover (D, Fig 34).  
Note: Spindle lock (E) and spring will pop out.



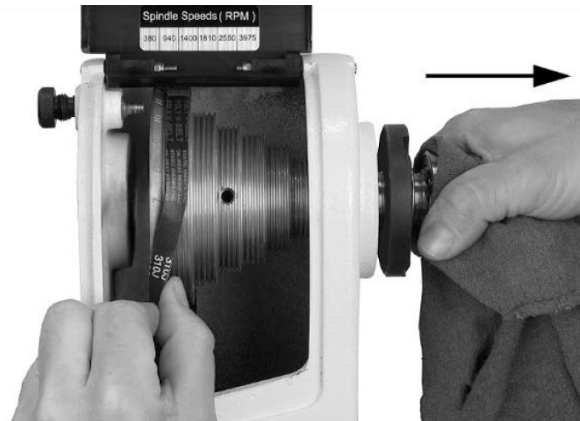
**Fig 34**

Use a rubber mallet, to tap the spindle towards tailstock.  
(also can use a piece of hard wood, or brass to protect the spindle).



**Fig 35**

Go only far enough to remove the belt.



**Fig 36**

To reassemble reverse the procedure.

Note:

To avoid bearing overload, do not over tighten the handwheel.  
Thread it on to the spindle until its snug, then back off slightly  
and tighten the grub screws.

## 9. Trouble shooting

### Motor fails to develop full power

- \*Power line overloaded-  
Correct overload condition.
- \*Undersized wires in power supply system-  
Increase supply wire size.

### Motor or spindle stalls or doesn't start

- \*No electricity-  
check mains and fuse.
- \*Defective switch, motor or cord-  
consult an electrician.
- \*Excessive cut-  
Reduce depth of cut.
- \*Improper belt tension or worn belt-  
Adjust or replace belt as needed

### Machine vibrates excessively

- \*Stands on uneven surface-  
adjust stand for even support.
- \*Workpiece is not properly centred
- \*The speed is too high
- \*Motor mounting fasteners are loose

### Tailstock moves when applying pressure

- \*Cam lock nut needs adjusting-  
Tighten cam lock nut (see chapter 8.1)
- \*Bed and tailstock surfaces are greasy-  
Clean surface and re-apply rust protection

## 10. Environmental protection

Protect the environment.

Your appliance contains valuable materials which can be recovered or recycled. Please leave it at a specialized institution.



This symbol indicates separate collection for electrical and electronic equipment required under the WEEE Directive (Directive 2012/19/EC) and is effective only within the European Union.

## 11. Accessories

### Stock number 719201

Bed Extension 560mm (Fig 37)



Fig 37

### Stock number 719202

Machine stand (Fig 38, Fig 39)



Fig 38

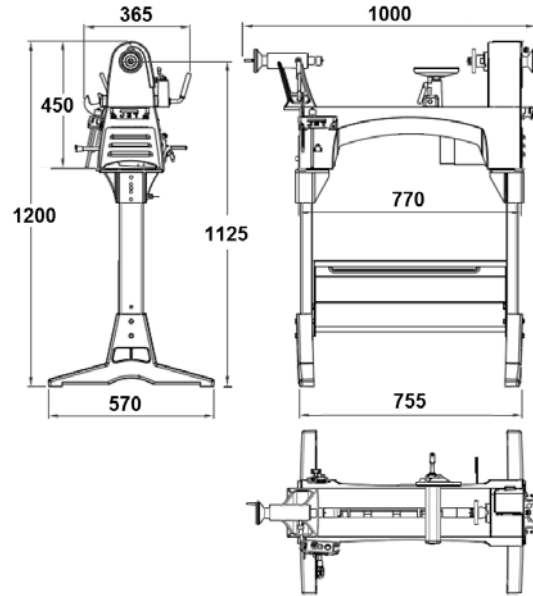


Fig 39

Overall dimensions, machine with stand

### Stock number 719203

Machine stand extension 560mm (Fig 40)

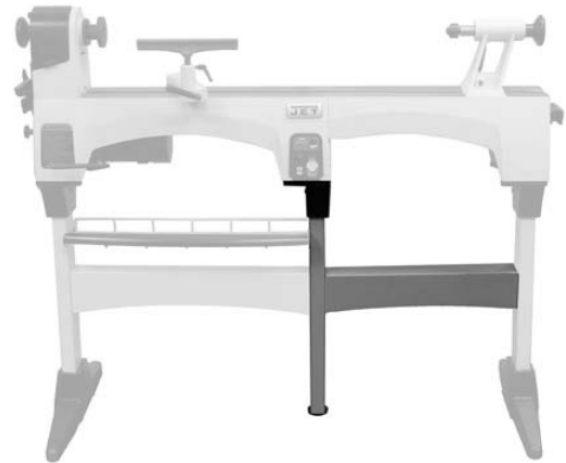


Fig 40

Refer to the JET-Pricelist for various tools and work holding.



# DE - DEUTSCH

## Betriebsanleitung

Sehr geehrter Kunde,

vielen Dank für das Vertrauen, welches Sie uns beim Kauf Ihrer neuen JET-Maschine entgegengebracht haben. Diese Anleitung ist für den Eigentümer und die Bediener zum Zweck einer sicheren Inbetriebnahme, Bedienung und Wartung der JET **Drehselbank JWL-1221-M** erstellt worden. Beachten Sie bitte die Informationen dieser Gebrauchsanleitung und der beiliegenden Dokumente. Lesen Sie diese Anleitung vollständig, insbesondere die Sicherheitshinweise, bevor Sie die Maschine zusammenbauen, in Betrieb nehmen oder warten. Um eine maximale Lebensdauer und Leistungsfähigkeit Ihrer Maschine zu erreichen befolgen Sie bitte sorgfältig die Anweisungen.

### Inhaltsverzeichnis

#### 1. Konformitätserklärung

#### 2. Garantie

#### 3. Sicherheit

Bestimmungsgemäße Verwendung  
Allgemeine Sicherheitshinweise  
Restrisiken

#### 4. Maschinenspezifikationen

Maschinenbeschreibung  
Technische Daten  
Schallemission  
Lieferumfang

#### 5. Transport und Inbetriebnahme

Transport und Aufstellung  
Montage  
Netzanschluss  
Absaug Anschluss  
Inbetriebnahme

#### 6. Maschinenbetrieb

Richtige Arbeitsstellung  
Drehstuhl Auswahl  
Drehzahlwahl  
Drehseln zwischen Spitzen  
Drehseln von Schalen und Tellern  
Schleifen und Imprägnieren

#### 7. Rüst und Einstellarbeiten

Wechseln der Drehzahl  
Spannmittel Montage  
Anpassung der Handstahlauflege  
Anpassung des Reitstocks  
Spindel Teileinrichtung

#### 8. Wartung und Inspektion

Klemmexzenter-Einstellung  
Riemenwechsel

#### 9. Störungsabhilfe

#### 10. Umweltschutz

#### 11. Zubehör

### 1. Konformitätserklärung

Wir erklären in alleiniger Verantwortlichkeit, dass dieses Produkt mit den auf Seite 2 angegebenen Richtlinien übereinstimmt.

### 2. Garantie

TOOL France SARL garantiert, dass das gelieferte Produkt frei von Material- und Fertigungsfehlern ist. Diese Garantie trifft nicht auf jene Defekte zu, welche auf direkten oder indirekten, nicht fachgerechten Gebrauch, Unachtsamkeit, Unfallschaden, Reparatur, mangelhafte Wartung bzw. Reinigung sowie normalen Verschleiß zurückzuführen sind.

Die ausführlichen Garantieleistungen (z.B. Gewährleistungsfrist) sind den Allgemeinen Geschäftsbedingungen (AGB) zu entnehmen. Die AGB sind auf der Internetseite ihres Händlers einzusehen oder werden auf Anfrage per Post zugestellt.

TOOL France SARL behält sich das Recht vor, jederzeit Änderungen am Produkt und Zubehör vorzunehmen.

### 3. Sicherheit

#### 3.1 Bestimmungsgemäße Verwendung

Diese Drehselbank ist ausschließlich zum Drehseln von Holz geeignet.

Die Bearbeitung anderer Werkstoffe ist nicht zulässig bzw. darf in Sonderfällen nur nach Rücksprache mit dem Maschinenhersteller erfolgen.

Es dürfen nur Werkstücke bearbeitet werden welche sicher zugeführt und gespannt werden können.

Die bestimmungsgemäße Verwendung beinhaltet auch die Einhaltung der vom Hersteller angegebenen Betriebs- und Wartungsanweisungen.

Die Maschine darf ausschließlich von Personen bedient werden, die mit Betrieb und Wartung vertraut und über die Gefahren unterrichtet sind.

Das gesetzliche Mindestalter ist einzuhalten.

Die Maschine nur in technisch einwandfreiem Zustand benutzen.

Beim Arbeiten an der Maschine müssen alle Sicherheitsvorrichtungen angebracht sein.

Neben den in der Gebrauchsanleitung enthaltenen Sicherheitshinweisen und den besonderen Vorschriften Ihres Landes sind die für den Betrieb von Holzbearbeitungsmaschinen allgemein anerkannten fachtechnischen Regeln zu beachten.

Jeder darüber hinaus gehende Gebrauch gilt als nicht bestimmungsgemäß und für daraus resultierende Schäden haftet der Hersteller nicht. Das Risiko trägt allein der Benutzer.

### 3.2 Allgemeine Sicherheitshinweise

Holzbearbeitungsmaschinen können bei unsachgemäßem Gebrauch gefährlich sein. Deshalb ist zum sicheren Betreiben die Beachtung der zutreffenden Unfallverhütungsvorschriften und der nachfolgenden Hinweise erforderlich.



Lesen und verstehen Sie die komplette Gebrauchsanleitung bevor Sie mit Montage oder Betrieb der Maschine beginnen.



Bewahren Sie die Bedienungsanleitung, geschützt vor Schmutz und Feuchtigkeit, bei der Maschine auf, und geben Sie sie an einen neuen Eigentümer weiter.

An der Maschine dürfen keine Veränderungen, An- und Umbauten vorgenommen werden.

Überprüfen Sie täglich vor dem Einschalten der Maschine die einwandfreie Funktion und das Vorhandensein der erforderlichen Schutzeinrichtungen.

Festgestellte Mängel an der Maschine oder den Sicherheitseinrichtungen sind zu melden und von den beauftragten Personen zu beheben.

Nehmen Sie die Maschine in solchen Fällen nicht in Betrieb, sichern Sie die Maschine gegen Einschalten durch Ziehen des Netzsteckers.

Zum Schutz von langem Kopfhaar Mütze oder Haarnetz aufsetzen.

Enganliegende Kleidung tragen, Schmuck, Ringe und Armbanduhren ablegen.

**Tragen Sie Schutzschuhe**, keinesfalls Freizeitschuhe oder Sandalen.

Verwenden Sie die durch Vorschriften geforderte persönliche Schutzausrüstung.

- Augenschutz
- Ohrenschutz
- Staubschutz



Beim Arbeiten an der Maschine **keine Handschuhe tragen**.



Die Maschine so aufstellen, dass genügend Platz zum Bedienen und zum Führen der Werkstücke gegeben ist.

Sorgen Sie für gute Beleuchtung.

Achten Sie darauf, dass die Maschine standsicher auf fester und ebener Tischfläche steht.

Beachten Sie dass die elektrische Zuleitung nicht den Arbeitsablauf behindert und nicht zur Stolperstelle wird.

Den Arbeitsplatz frei von behindernden Werkstücken, etc. halten.

Seien Sie aufmerksam und konzentriert. Gehen Sie mit Vernunft an die Arbeit.

Achten Sie auf ergonomische Körperhaltung.

Sorgen Sie für sicheren Stand und halten Sie jederzeit das Gleichgewicht.

Arbeiten Sie niemals unter dem Einfluss von Rauschmitteln wie Alkohol und Drogen an der Maschine. Beachten Sie, dass auch Medikamente Einfluss auf Ihr Verhalten nehmen können.



Niemals in die laufende Maschine greifen.



Halten Sie Unbeteiligte, insbesondere Kinder vom Gefahrenbereich fern.

Die laufende Maschine nie unbeaufsichtigt lassen. Vor dem Verlassen des Arbeitsplatzes die Maschine ausschalten.

Benützen Sie die Maschine nicht in der Nähe von brennbaren Flüssigkeiten oder Gasen.

Beachten Sie die Brandmelde- und Brandbekämpfungsmöglichkeiten z.B. Standort und Bedienung von Feuerlöschern.

Benützen Sie die Maschine nicht in feuchter Umgebung und setzen Sie sie nicht dem Regen aus.

Achten Sie stets darauf, dass keine zu große Staubkonzentration entsteht – verwenden Sie stets eine geeignete Absauganlage  
Holzstaub ist explosiv und kann gesundheitsschädigend sein. Insbesondere tropische Hölzer und harte Hölzer wie Buche und Eiche sind als krebserregend eingestuft.

Vor der Bearbeitung Nägel und andere Fremdkörper aus dem Werkstück entfernen.

Es ist darauf zu achten dass das Drechselwerkzeug beim Bearbeiten mit beiden Händen sicher gehalten und sicher geführt wird.

Nur mit gut geschärften Werkzeugen arbeiten.

Bearbeiten Sie nur ein Werkstück, das sicher eingespannt ist. Vor dem Einschalten immer prüfen.

Werkstücke vor dem Spannen zwischen Spitzen beidseitig mit Zentrierbohrung versehen.

Große und unwichtige Werkstücke nur mit kleiner Drehzahl bearbeiten.



Bei Schleifarbeiten die Handstahlaufgabe entfernen.

Nur homogene Werkstücke bearbeiten.

Prüfen Sie das Werkstück sorgfältig auf Risse, lose Äste oder andere Abweichungen welche eine Gefährdung darstellen.

Spannschlüssel oder Spannstifte vor dem Einschalten der Maschine entfernen.

Riemenabdeckung immer schließen.

Angaben über die min. und max. Werkstückabmessungen müssen eingehalten werden

Drehen Sie nach jeder Aufspannung das Werkstück von Hand und prüfen Sie die sichere Aufspannung und freie Rotation. Starten Sie die Maschine in der niedrigsten Drehzahlstufe.

Späne und Werkstückteile nur bei stehender Maschine entfernen.

Auslaufende Werkstücke nie von Hand abbremsen.

Die Spindelblockierung nur bei stehender Spindel betätigen.

Messungen nie am rotierenden Werkstück vornehmen.

Nicht auf der Maschine stehen.

Arbeiten an der elektrischen Ausrüstung der Maschine dürfen nur durch eine Elektrofachkraft vorgenommen werden.



Tauschen Sie ein beschädigtes Netzkabel sofort aus.

Umrüst-, Einstell- und Reinigungsarbeiten nur im Maschinenstillstand und bei gezogenem Netzstecker vornehmen.



Kontrollieren Sie vor jedem Maschinenstart, dass alle Griffe und Hebel festgesetzt sind.

### 3.3 Restrisiken

Auch bei vorschriftsmäßiger Benutzung der Maschine bestehen die nachfolgend aufgeführten Restrisiken.

Verletzungsgefahr durch das frei drehende Werkstück.

Nicht homogene bzw. nicht belastbare Werkstücke können auf Grund der Zentrifugalkraft explodieren.

Verarbeiten Sie nur ausgesuchte Hölzer ohne Fehler.

Unwichtige Werkstücke führen zu Verletzungsgefahr.

Verletzungsgefahr durch unsichere Werkzeugführung, bei nicht exakt angestellter Werkzeugaufgabe und stumpfem oder defektem Drechselwerkzeug.

Rückschlaggefahr. Das Werkzeug wird von dem sich drehenden Werkstück erfasst und gegen den Bediener geschleudert.

Gefährdung durch wegfliegende Werkstücke und Werkstückteile.

Gefährdung durch Lärm und Staub.

Unbedingt persönliche Schutzausrüstungen wie Augen-, Gehör- und Staubschutz tragen.

Eine geeignete Absauganlage einsetzen. Sorgen Sie für gute Durchlüftung.

Gefährdung durch Strom, bei nicht ordnungsgemäßer Verkabelung.

## 4. Maschinenspezifikation

### 4.1 Maschinenbeschreibung

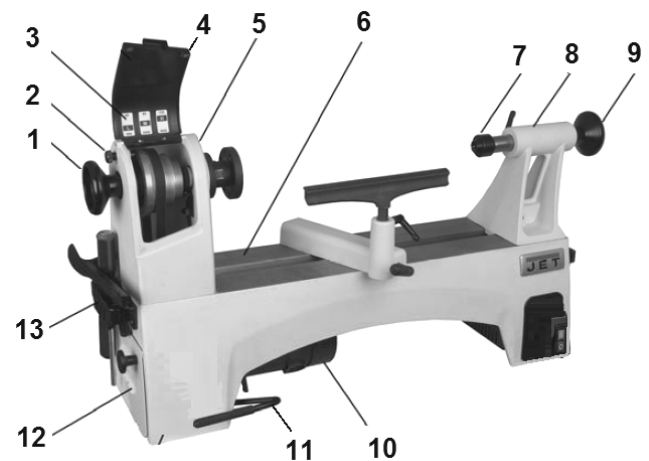


Fig 1

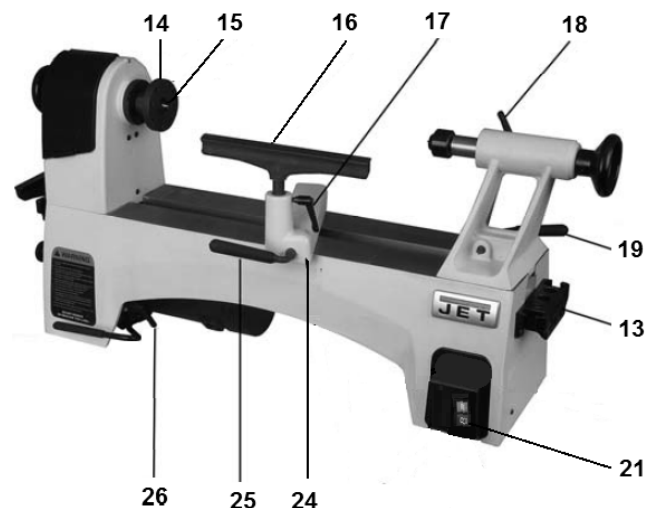


Fig 2

- 1 Spindel Handrad
- 2 Spindel Teileinrichtung
- 3..Drehzahl Schild
- 4..Oberer Riemendeckel
- 5 Spindelstock
- 6 Maschinenbett
- 7..Rollkörner

- 8 Reitstock
- 9 Reitstock Handrad
- 10 Motor
- 11..Riemenspanner
- 12 Unterer Riemendeckel
- 13..Werkzeugablage / Kabelspeicher
- 14 Aufspannscheibe
- 15 Stirnmitnehmer
- 16 Handstahlauflege
- 17 Handstahlauflege-Klemmung
- 18..Reitstockpinole-Klemmung
- 19 Reitstock Klemmhebel
- 21 Ein/ Aus Schalter
- 24 Handstahlauflegenbasis
- 25 Handstahlauflegenbasis-Klemmhebel
- 26 Riemenentspanner

#### 4.2 Technische Daten

Drehdurchmesser über Bett	318mm
Drehdurchmesser über Handstahlauflege	240mm
Spitzenweite	500mm
Anzahl mechanischer Geschwindigkeiten	6
	360, 850, 1230, 1510, 2180, 3280 U/min
Spindelnase	M33x3,5 DIN 800
Spindelkonus	MK2
Spindelteilung	24x15°
Spindelbohrung	9,5mm
Reitstockkonus	MK2
Reitstockbohrung	9,5mm
Reitstock Pinolenhub	57mm
Spitzenhöhe über Werkbank	375mm
Maschinenabmessungen (LxTxH)	853x280x450mm
Nettogewicht	55 kg
Netzanschluss	1~230V, PE, 50Hz
Motorleistung	0,56 kW (0,75 PS)
Betriebsstrom	2,7 A
Verlängerungskabel (H07RN-F):	3x1,5 mm <sup>2</sup>
Bauseitige Absicherung	10A
Isolationsklasse	I

#### 4.3 Schallemission

Schalldruckpegel (nach EN ISO 11202):	
Leerlauf	LpA 67,4 dB(A)
Bearbeitung	LpA 76,5 dB(A)

Die angegebenen Werte sind Emissionspegel und sind nicht notwendigerweise Pegel für sicheres Arbeiten. Sie sollen dem Anwender eine Abschätzung der Gefährdung und des Risikos ermöglichen.

#### 4.4 Lieferumfang

- Mitlaufkörnerspitze
- Stirnmitnehmer
- Ausstoßbolzen
- Werkzeugablage / Kabelspeicher
- 150 mm Handstahlauflege
- 250mm Handstahlauflege

- 75 mm Aufspannscheibe
- Bedienwerkzeug
- Gebrauchsanleitung
- Ersatzteilliste.

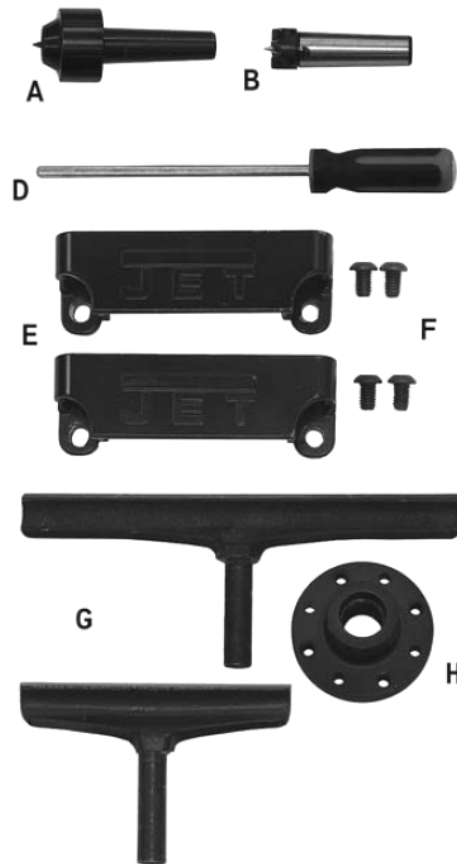


Fig 3

## 5. Transport und Inbetriebnahme

### 5.1 Transport und Aufstellung

Die Aufstellung der Maschine sollte in geschlossenen Räumen erfolgen, die Aufstellfläche muss dabei ausreichend eben und belastungsfähig sein.

Um einen sicheren Betrieb der Maschine zu gewährleisten, muss sie auf der Werkbank oder dem optional erhältlichen Untersatz festgeschraubt sein.

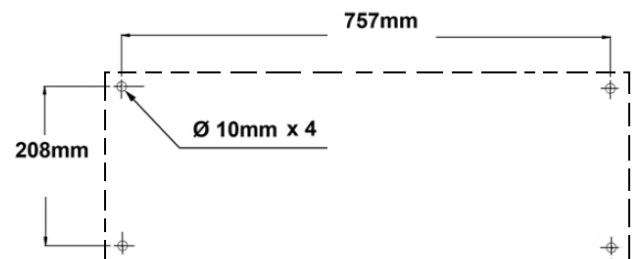


Fig 4

Aus verpackungstechnischen Gründen ist die Maschine nicht komplett montiert.

## 5.2 Montage

Falls Sie beim Auspacken Transportschäden bemerken, informieren Sie den Zulieferer hierüber unverzüglich. Nehmen Sie die Maschine auf keinen Fall in Betrieb!

Entsorgen Sie die Verpackung auf eine umweltfreundliche Art.

Reinigen Sie alle vor Rost geschützten Oberflächen mit einem milden Lösungsmittel.

### Montage der Werkzeugablagen:

Befestigen Sie an jedem Bettende die Werkzeugablage mit zwei Linsenkopfschrauben (Fig 5).



Fig 5

## 5.3 Netzanschluss

Der kundenseitige Netzanschluss sowie die verwendeten Verlängerungsleitungen müssen den Vorschriften entsprechen.

Die Netzspannung und Frequenz müssen mit den Leistungsschilddaten an der Maschine übereinstimmen.

Die bauliche Absicherung muss dabei 10A betragen.

Verwenden Sie nur Anschlussleitungen mit Kennzeichnung H07RN-F

Anschlüsse und Reparaturen der elektrischen Ausrüstung dürfen nur von einem Elektrofachkraft durchgeführt werden.

## 5.4 Absaug Anschluss

Vermeiden Sie eine hohe Luftstaubkonzentration. Setzen Sie ein geeignetes Absaug- bzw. Filtersystem ein.

## 5.5 Inbetriebnahme

Mit dem grünen Eintaster (B, Fig 6) kann die Maschine gestartet werden.



Fig 6

Zum Stillsetzen drücken Sie den Roten Aus-Taster (C). Warten Sie bis das Werkstück zum Stillstand kommt.

Es stehen 6 Drehzahlen durch Riemenumlegen zur Verfügung (Fig 7).

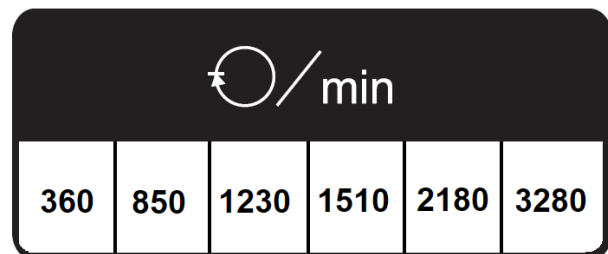


Fig 7

## 6. Betrieb der Maschine

### 6.1 Richtige Arbeitsstellung

Das Drechselwerkzeug immer aufgelegt an der Handstahlaufgabe führen. Dabei die Finger geschlossen halten und mit dem Handballen an der Handstahlaufgabe abstützen (siehe Fig 8).

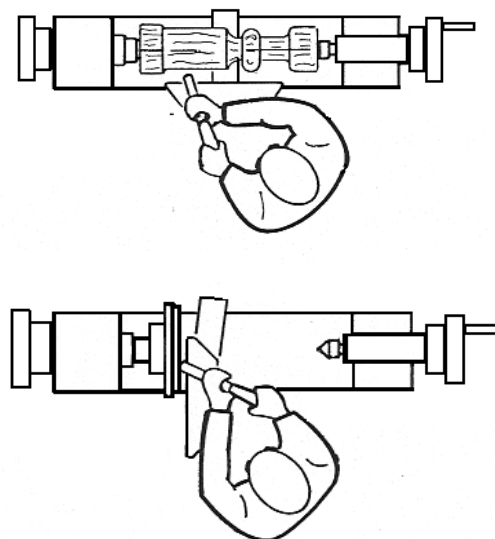


Fig 8

## 6.2 Drehstahl Auswahl

Erfolgreiches Dreheln hängt nicht von hohen Drehzahlen ab, sondern von der richtigen Anwendung der Drehselwerkzeuge.

Eine Voraussetzung für fachgerechtes Dreheln ist ein einwandfreies und geschärftes Drehselwerkzeug.

Die wichtigsten Drehselstähle:

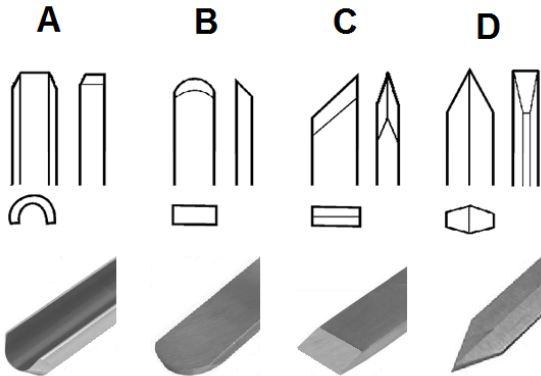


Fig 9

### Drehselröhre (A, Fig 9)

Wichtigstes Drehselwerkzeug, wird verwendet zur Schrumpferspannung, zum Aushöhlen von Schalen und Tellern und zum Dreheln von Einschnürungen (Fig 10).

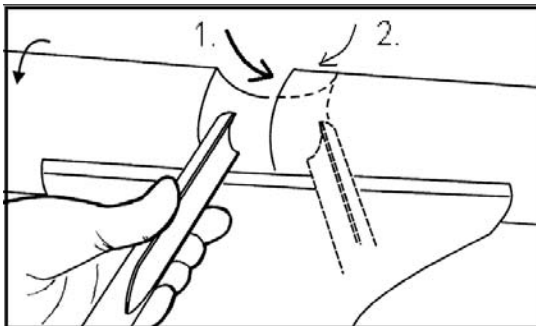


Fig 10

### Schaber (B, Fig 9)

Wird verwendet zur Außen- und Innenkalibrierung sowie zum Entfernen von Bearbeitungsriefen.

### Schrägmeißel (C, Fig 9)

Wird verwendet zum Dreheln von V-Rillen und zur Außenkalibrierung.

Die Schneide wird parallel zum Schnitt angestellt (Fig 11)

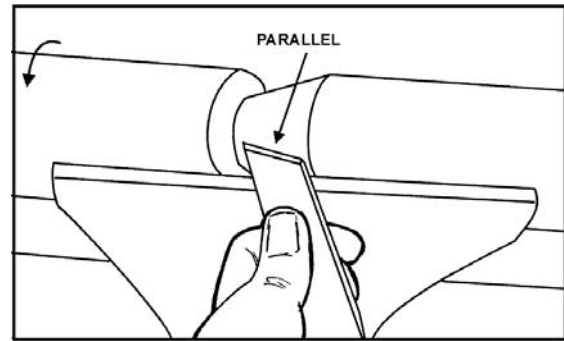


Fig 11

**Abstechstahl (D, Fig 9)** Wird verwendet um direkt in das Werkstück einzutauchen, z.B. beim Einstechen auf Mass, Hinterdrehen, und Abstechen. Kann auch als Schaber eingesetzt werden.

## 6.3 Drehzahlwahl:

Große und ungewichtige Werkstücke nur mit kleiner Drehzahl bearbeiten.

Beim Auftreten von Vibrationen die Maschine stoppen und Abhilfe schaffen.

Drehzahlempfehlung in U/min (RPM)

Werkstück- durchmesser mm	Schruppen U/min	Allgemeine Schnitte U/min	Schlichten U/min
< 50	<b>1510</b>	<b>2180</b>	<b>3280</b>
50-100	<b>850</b>	<b>1510</b>	<b>2180</b>
100-150	<b>850</b>	<b>1230</b>	<b>1510</b>
150-200	<b>360</b>	<b>850</b>	<b>1230</b>
200-320	<b>360</b>	<b>360</b>	<b>850</b>

Fig 12

## 6.4 Dreheln zwischen Spitzen

Markieren und kornen Sie die Werkstückmitte an beiden Enden.

Bei harten Hölzern kann es spindelstockseitig erforderlich sein Einschnitte anzubringen (siehe Fig 13).

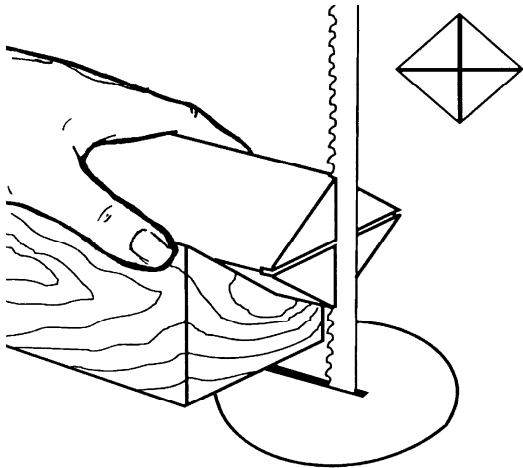


Fig 13

Spannen Sie das zentrierte Werkstück zwischen den Stirnmitnehmer und die Reitstock Mitlaufkörnerspitze.

Drehen Sie das Reitstock Handrad bis die Mitlaufkörnerspitze im Werkstück gut fest sitzt. Drehen Sie das Handrad eine Vierteldrehung zurück und klemmen Sie die Reitstockpinole fest.

Drehen Sie das Werkstück von Hand und prüfen Sie die sichere Aufspannung und die freie Rotation.

Beim Arbeiten zwischen den Spitzen wird die Höhe der Handstahlaufgabe ca. 3 mm über der Spitzenhöhe eingestellt (Fig 14 und 15).

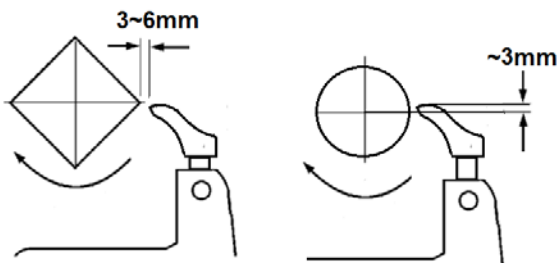


Fig 14



Fig 15

## 6.5 Drechseln von Schalen und Tellern

Drechseln Sie die Außenseite der Schale zwischen den Spitzen.

Das Andrehen eines kurzen Zapfens (T, Fig 16) mit dem Innendurchmesser der Aufspannscheibe hilft dabei, das Werkstück in der zweiten Aufspannung zu zentrieren.

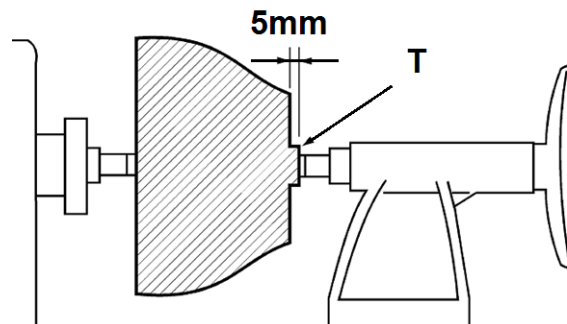


Fig 16

Befestigen Sie das Werkstück (A, Fig 17) mit 4 Messing-Holzschrauben (C) direkt an der Aufspannscheibe. Seien Sie vorsichtig bei der Schraubenwahl. Zu lange Schrauben ragen in den Zerspanungsbereich und zu kurze ergeben keine sichere Aufspannung.

Falls keine Schraubenbefestigung zulässig ist kann das Werkstück auch auf eine Trägerscheibe (D) aufgeklebt werden, welche wiederum mit der Aufspannscheibe verschraubt ist.

Mit einem dazwischengeklebten Stück Papier vermeiden Sie Beschädigungen des Werkstücks beim späteren Lösen.

Die Aufspannscheibe zusammen mit dem bereits aufgespannten Werkstück auf die Spindelnase aufschrauben und von Hand festziehen.

Bei Spindel-Gegenlauf, vergewissern Sie sich, dass das Spannmittel gegen Ablaufen gesichert ist. Die radialen Gewindestifte festsetzen.

Bewegen Sie den Reitstock nach rechts, entfernen Sie Mitlaufkörnerspitze oder Bohrfutter um Verletzungen zu vermeiden.

Drehen Sie das Werkstück von Hand und prüfen Sie die sichere Aufspannung und die freie Rotation.

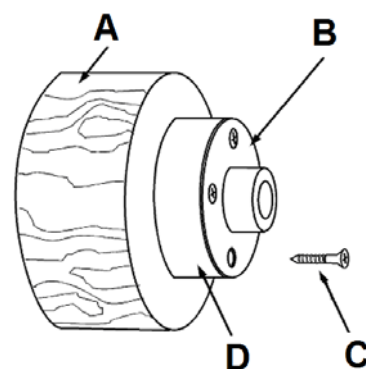


Fig 17

Beim Arbeiten mit der Aufspannscheibe wird die Höhe der Handstahlaufgabe leicht unterhalb der Spitzenhöhe eingestellt.

### Achtung:

Arbeiten Sie mit dem Drehstahl nur links von der Drehmitte.

Führen Sie die Drechselröhre mit der linken Hand, während die rechte Hand zum Körper schwingt (Fig 18).

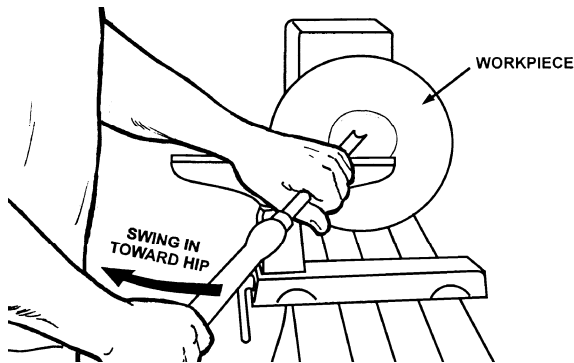


Fig 18

Beginnen Sie die Spanabnahme am Schalenrand und führen Sie die Drechselröhre möglichst in einer durchgängigen Bewegung bis zum Schalengrund.

Versetzen Sie die Handstahlaufgabe nach außen und drechseln Sie die Schalenunterseite fertig.

## 6.6 Schleifen und Imprägnieren

Entfernen Sie die Handstahlaufgabe.

Beginnen Sie mit einer 120er Körnung und setzen Sie stufenweise feineres Schleifpapier ein.

Verwenden Sie vorzugsweise kraftbetriebene Schleifwerkzeuge um konzentrische Schleifrippen zu vermeiden.

Stoppen Sie bei einer 220er Körnung.

Erste Imprägnierung aufbringen und trocknen lassen.

Fertigschleifen mit 320er oder 400er Körnung.

Das Werkstück mit einem Abstichstahl vom Reststück ansatzweise trennen.  
(Unter Durchmesser 80mm mit einer feinen Handsäge durchtrennen).

Zweite Imprägnierung aufbringen und trocknen lassen.

Die Oberfläche fertig polieren.

## 7. Rüst- und Einstellarbeiten

### Allgemeine Hinweise

**Vor Rüst- und Einstellarbeiten muss die Maschine gegen Inbetriebnahme gesichert werden.**

**Netzstecker ziehen!**

**Kontrollieren Sie vor jedem Maschinenstart, dass alle Griffe und Hebel festgesetzt sind.**

### 7.1 Wechseln der Drehzahl

Die Stromzufuhr durch Ziehen des Netzsteckers trennen !

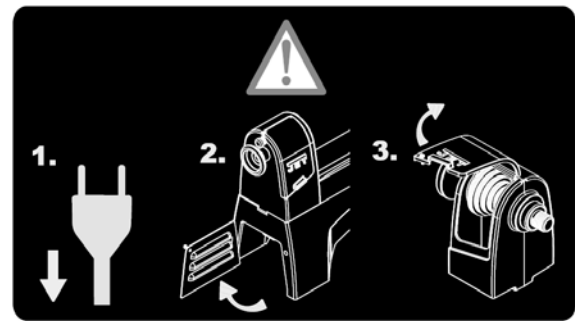


Fig 19

Lösen Sie die Sicherungsschraube und öffnen Sie die untere Riemenabdeckung.

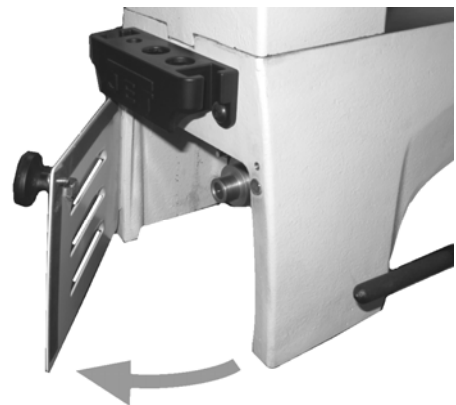


Fig 20

Lösen Sie die Sicherungsschraube und öffnen Sie die obere Riemenabdeckung.



Fig 21

Den Riemen entspannen. Dazu am Griff (F, Fig 22) ziehen und den Motor am Bügel (G) anheben.

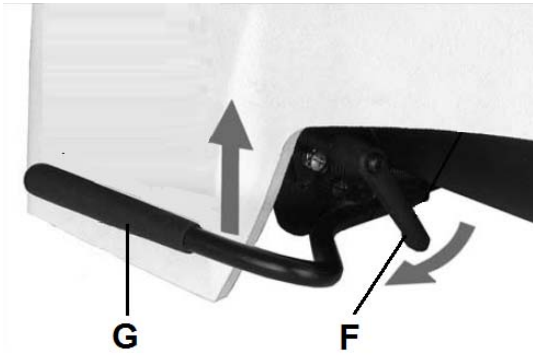


Fig 22

Den Riemen auf der gewünschten Drehzahlstufe auflegen (Drehzahlangabe siehe Riemendeckel).

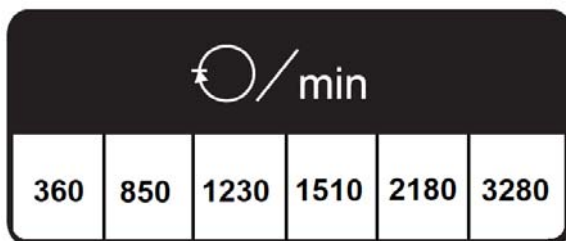


Fig 23

Korrekte Riemenlage beachten.

Spannen Sie den Riemen. Bügel (G) nach unten drücken.

Die Riemendeckel schließen und mit Schraube sichern.

**⚠ ACHTUNG**  
Die Riemendeckel während der Bearbeitung stets geschlossen halten.

## 7.2 Spannmittel Montage

Die Stromzufuhr durch Ziehen des Netzsteckers trennen !

**Die Aufspanscheibe** wird zum Drehen von Schüsseln und Tellern verwendet.

Es befinden sich eine Vielzahl von Löchern in der Aufspanscheibe um das Werkstück zu befestigen.

Montage:

Prüfen Sie dass die zwei Gewindestifte (B, Fig 24) herausgeschraubt sind.

Drücken Sie die Spindelarreterung (A).

Schrauben Sie die Aufspanscheibe im Uhrzeigersinn auf die Spindel und sichern Sie mit 2 Gewindestiften (B).

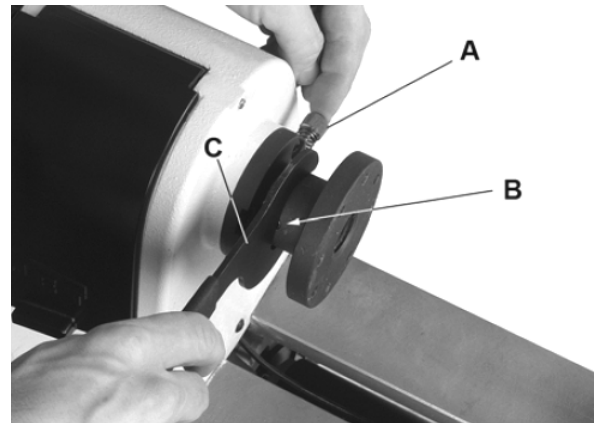


Fig 24

Demontage:

Lösen Sie die 2 Gewindestifte bevor Sie die Aufspanscheibe wieder abschrauben.

Drücken sie die Spindelarreterung und verwenden Sie den gelieferten Schlüssel (C).

**Achtung:** Arbeiten Sie mit dem Drehstuhl nur links von der Drehmitte.

Die Spindelarreterung nur bei stehender Spindel betätigen.

**Der Stirnmitnehmer** wird verwendet um ein Werkstück zwischen den Spitzen einzuspannen.

Achten Sie darauf dass die Konusflächen sauber sind.

Den Stirnmitnehmer in den Spindelkonus einstecken.



Fig 25

Zur Demontage den Ausstoßbolzen verwenden.

Sichern Sie mit der Hand gegen herunterfallen (Fig 26).



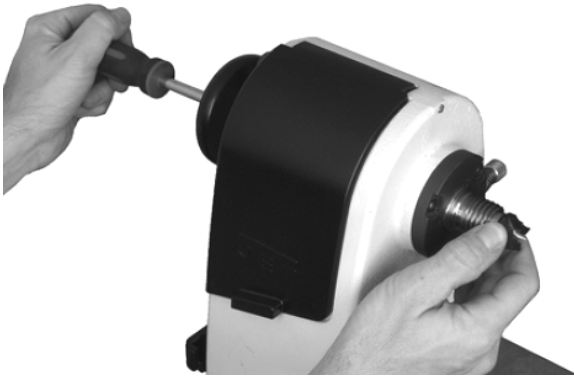


Fig 26

Die Mitlaufkörnerspitze wird verwendet um ein Werkstück zwischen den Spitzen einzuspannen.

Achten Sie darauf dass die Konusflächen sauber sind.

Die Mitlaufkörnerspitze in die Reitstockpinole einstecken.



Fig 27

Die Mitlauf-Körnerspitze kann durch Drehen des Handrads im Gegen-Uhrzeigersinn ausgeworfen werden (Fig 27).

### 7.3 Anpassung der Handstahlaufgabe

Stellen Sie die Handstahlaufgabe (C, Fig 28) so nahe an das Werkstück als möglich und fixieren Sie die Position mit dem Hebel (A).



Fig 28

Stellen Sie die Höhe ca. 3mm über die Spitzenhöhe und klemmen Sie den Indexiergriff (B).

### 7.4 Anpassung des Reitstocks

Drehen Sie das Handrad (E, Fig 29) im Uhrzeigersinn um die Pinole auszufahren und klemmen Sie mit dem Indexiergriff (D).



Fig 29

Der Hebel (C) klemmt den Reitstock am Maschinenbett fest.

Die Mitlauf-Körnerspitze kann durch Drehen des Handrads im Gegen-Uhrzeigersinn ausgeworfen werden.

Zum Tieflochbohren kann die Zentrierspitze ausgestoßen werden.

**Achtung:** Setzen Sie den Reitstock nicht über das Bettende. Dabei reduziert sich der Kontakt, das Risiko einer Verletzung steigt.

### 7.5 Spindel Teileinrichtung

Die Spindelteilung ermöglicht das Festsetzen der Spindel in gleichmäßigen Abständen.

In der Riemenscheibe befinden sich 24 Bohrungen im Abstand von 15°, in welchen der Indexierstift einrastet.

Die Teilung lässt sich durch Nummern an der Riemenscheibe (H, Fig 30) leicht zuordnen.

Schrauben Sie dazu den Indexierstift (J, Fig 30) in den Spindelstock. Bis er in einem der Löcher (I) gut festsitzt.

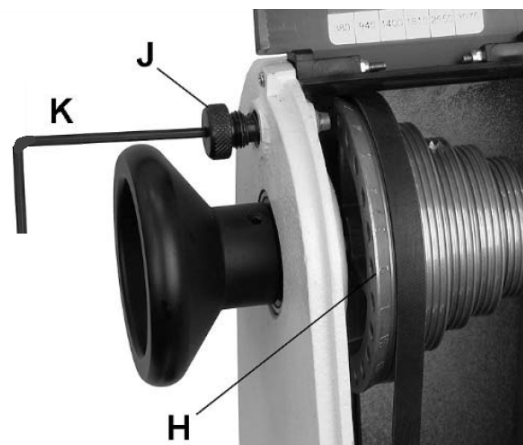


Fig 30



### Achtung:

Lösen Sie den Indexierstift bevor Sie die Maschine einschalten.  
Drücken Sie niemals den Indexstift, während sich die Spindel dreht.

## 8. Wartung und Inspektion

### Allgemeine Hinweise

**Vor Wartungs- Reinigungs- und Reparaturarbeiten muss die Maschine gegen Inbetriebnahme gesichert werden. Netzstecker ziehen !**

Reinigen Sie die Maschine in regelmäßigen Zeitabständen.  
(Augen und Atemschutz tragen).

Prüfen Sie die ausreichende Funktion der Absaugung.

Schützen Sie Spindel, Reitstockpinole, Handstahlauflage und Maschinenbett mit einem dünnen Ölfilm oder einem Anti-Korrosionsspray.

Beschädigte Sicherheitseinrichtungen sofort ersetzen.

Anschlüsse und Reparaturen der elektrischen Ausrüstung dürfen nur von einer Elektrofachkraft durchgeführt werden.

### 8.1 Klemmexzenter Einstellung

Falls eine Anpassung erforderlich ist, schieben Sie Reitstock oder Handstahlauflage an das Bettende und stellen Sie die Mutter (B, Fig 31) geringfügig nach.

Testen Sie die Klemmfunktion und wiederholen Sie, falls erforderlich.

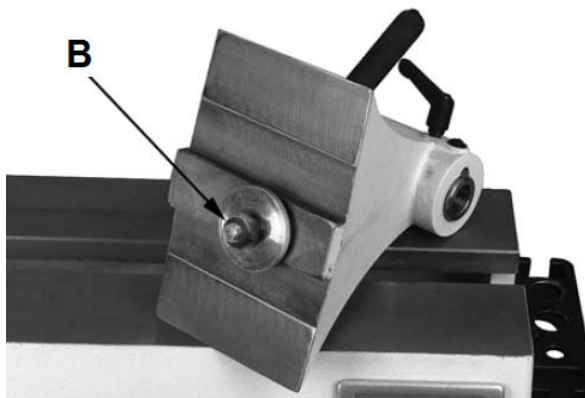


Fig 31

### 8.3 Riemenwechsel

Die Stromzufuhr durch Ziehen des Netzsteckers trennen !

Riemenabdeckungen öffnen, den Poly-V-Riemen von der Motorriemenscheibe abnehmen.

Das Handrad (A, Fig 33) nach dem Lösen der 2 Gewindestifte (B) entfernen.

Achtung: Linksgewinde, drehen sie im Uhrzeigersinn.

Lösen sie die zwei Gewindestifte (C) der Riemenscheibe.

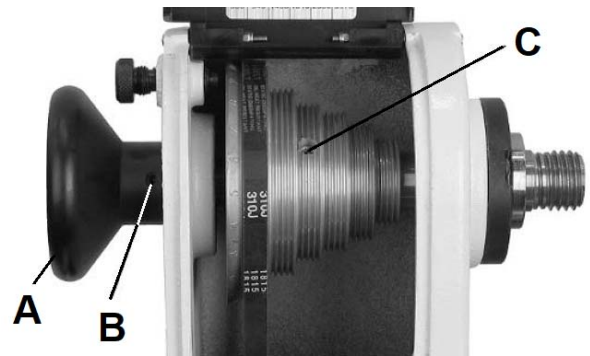


Fig 33

Schrauben sie den Lagerdeckel (D, Fig 34) ab.  
Achtung: Spindelindexierung und Feder springen weg.

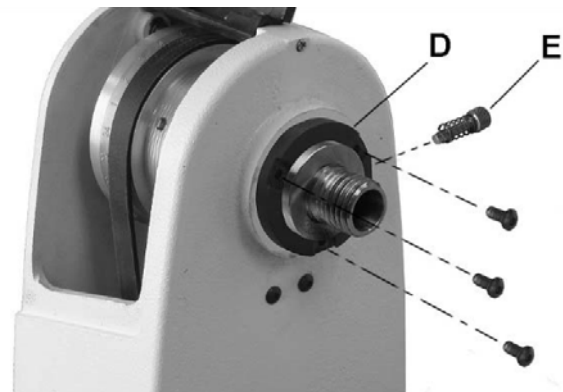


Fig 34

Mit Hilfe eines Gummihammers die Spindel Richtung Reitstock hämmern. (Es kann auch ein Stück Hartholz oder Messingstück als Triebbling verwendet werden).

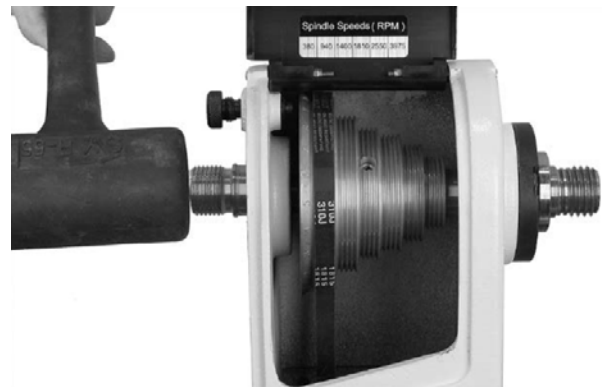


Fig 35

Nur so weit bis Riemen entfernt werden kann.

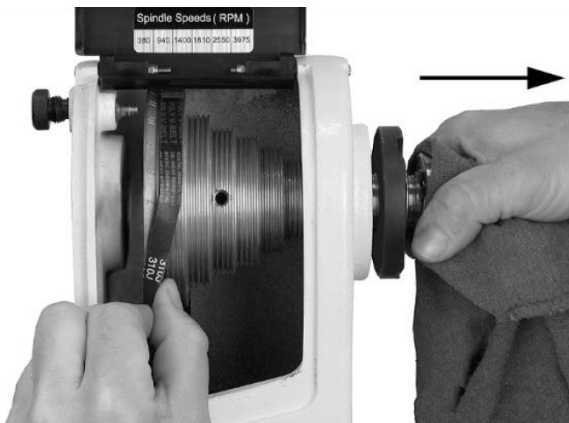


Fig 36

Der Zusammenbau erfolgt in umgekehrter Reihenfolge.

Hinweis:

Um Überlastung der Lager zu vermeiden, das Handrad nicht zu stark festziehen.

Das Handrad am Lager anstellen, danach wieder etwas zurückdrehen und mit den Gewindestiften fixieren.

## 9. Störungsabhilfe

### Motor hat keine Leistung

\*Netz überlastet-  
Stromversorgung prüfen.

\*Kabelquerschnitt zu schwach-  
Zuleitung prüfen

### Motor stoppt oder startet nicht

\*Kein Strom-  
Netzsicherung prüfen.

\*Motor, Schalter oder Kabel defekt-  
Elektrofachkraft kontaktieren.

\*Zu schwere Zerspanung-  
Span reduzieren.

\*Unzureichende Riemenspannung-  
Riemen spannen, Riemen tauschen

### Starke Maschinenvibrationen

\*Maschine steht uneben-  
Ausgleich schaffen.

\*Das Werkstück ist schlecht zentriert-

\*Die Drehzahl ist zu hoch-

\*Motor Montage ist lose-

### Reitstock verschiebt sich unter Last

\*Bettklemmung unzureichend-  
Mutter nachstellen (siehe Kapitel 8.1)

\*Bett/ Reitstockflächen sind fettig-  
Entfetten und Rostschutz neu aufbringen

## 10. Umweltschutz

Schützen Sie die Umwelt!

Ihr Gerät enthält mehrere unterschiedliche, wiederverwertbare Werkstoffe.

Bitte entsorgen Sie es nur an einer spezialisierten Entsorgungsstelle.



Dieses Symbol weist auf die getrennte Sammlung von Elektro- und Elektronikgeräten, gemäß Forderung der WEEE-Richtlinie (2012/19/EU). Diese Richtlinie ist nur innerhalb der Europäischen Union wirksam.

## 11. Zubehör

### Artikel Nummer 719201

Bettverlängerung 560mm (Fig 37)



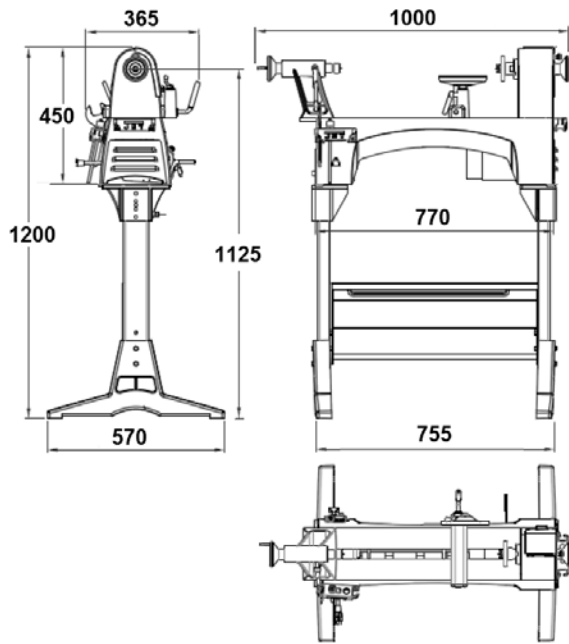
Fig 37

### Artikel Nummer 719202

Maschinen Untersatz (Fig 38, Fig 39)



Fig 38

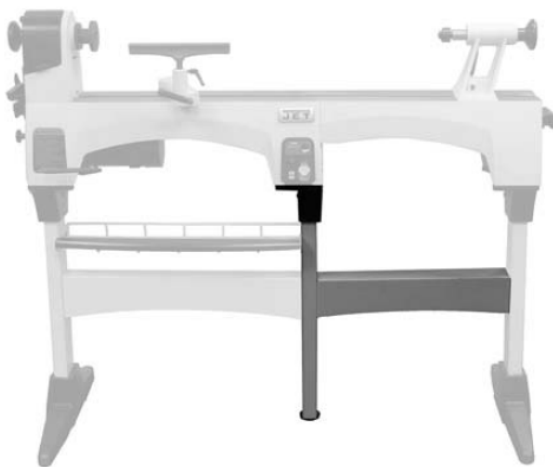


**Fig 39**

Abmessungen Maschine mit Untersatz

**Artikel Nummer 719203**

Maschinenuntersatz Verlängerung 560mm (Fig 40)



**Fig 40**

Werkzeuge und Spannmittel siehe JET-Preisliste

# FR - FRANÇAIS

## Mode d'emploi

Cher client,

Nous vous remercions de la confiance que vous nous portez avec l'achat de votre nouvelle machine JET. Ce manuel a été préparé pour l'opérateur du **tour à bois JWL-1221-M**. Son but, mis à part le fonctionnement de la machine, est de contribuer à la sécurité par l'application des procédés corrects d'utilisation et de maintenance. Avant de mettre l'appareil en marche, lire les consignes de sécurité et de maintenance dans leur intégralité. Pour obtenir une longévité et fiabilité maximales de votre tour, et pour contribuer à l'usage sûr de la machine, veuillez lire attentivement ce mode d'emploi et suivre les instructions.

### Table des Matières

#### 1. Déclaration de conformité

#### 2. Garantie

#### 3. Sécurité

Utilisation conforme  
Consignes de sécurité  
Risques

#### 4. Spécifications

Description de la machine  
Données techniques  
Emission de bruit  
Contenu de la livraison

#### 5. Transport et mise en service

Transport et installation  
Montage  
Raccordement électrique  
Raccordement au collecteur de poussières  
Première mise en service

#### 6. Fonctionnement de la machine

Position correcte de travail  
Choix des outils  
Choix de la vitesse de rotation  
Tournage entre pointes  
Tournage des formes creuses  
Ponçage et finition

#### 7. Réglages

Changement des vitesses  
Installation du dispositif de fixation  
Réglage du porte-outil  
Réglage de la contre-poupée  
Divisions de la broche de la poupée fixe

#### 8. Entretien et contrôle

Réglage du serrage du banc  
Changement de la courroie et des paliers

#### 9. Détecteur de pannes

#### 10. Protection de l'environnement

#### 11. Accessoires

### 1. Déclaration de conformité

Par le présent et sous notre responsabilité exclusive, nous déclarons que ce produit satisfait aux normes conformément aux lignes directrices indiquées page 2.

### 2. Garantie

TOOL France SARL garantit que le produit fourni est exempt de défauts matériels et de défauts de fabrication.

Cette garantie ne couvre pas les défauts qui sont causés, directement ou indirectement, par l'utilisation incorrecte, la négligence, les dommages accidentels, la réparation, la maintenance ou le nettoyage incorrects et l'usure normale.

Les détails sur la garantie (période de garantie par exemple) peuvent être trouvés dans les conditions générales (GTC) faisant partie intégrante du contrat. Ces conditions générales peuvent être consultées sur le site web de votre revendeur ou vous être envoyées sur demande.

TOOL France SARL se réserve le droit d'effectuer des changements sur le produit et les accessoires à tout moment.

### 3. Sécurité

#### 3.1 Utilisation conforme

Ce tour à bois convient au tournage du bois et des dérivés du bois.

Le tournage d'autres matériaux est interdit et ne peut être effectué que dans des cas spéciaux et après accord du fabricant de la machine.

La pièce doit pouvoir être posée et serrée sans problème.

L'utilisation conforme implique le strict respect des instructions de service et de maintenance indiquées dans ce manuel.

La machine doit être exclusivement utilisée par des personnes familiarisées avec le fonctionnement, la maintenance et la remise en état, et qui sont informées des dangers correspondants.

L'âge minimum requis par la loi est à respecter.

Toutes les directives relatives à la prévention des accidents ainsi que les consignes de sécurité doivent être respectées scrupuleusement.

En cas d'utilisation non-conforme de la machine, le fabricant décline toute responsabilité qui est, en tel cas, rejetée exclusivement sur l'utilisateur.

#### 3.2 Consignes de sécurité

L'utilisation non-conforme d'un tour à bois peut être très dangereuse.



C'est pourquoi vous devez lire attentivement ce mode d'emploi avant de monter ou d'utiliser votre appareil.



Conserver à proximité de la machine tous les documents fournis avec l'outillage (dans une pochette en plastique, à l'abri de la poussière, de l'huile et de l'humidité) et veiller à joindre cette documentation si vous cédez l'appareil.

Ne pas effectuer de modifications à la machine. Utiliser les accessoires recommandés, des accessoires incorrects peuvent être dangereux.

Contrôler chaque jour, avant d'utiliser la machine, les dispositifs de protection et le fonctionnement impeccable.

En cas de défauts à la machine ou aux dispositifs de protection avertir les personnes compétentes et ne pas utiliser la machine. Déconnecter la machine du réseau.

Avant de mettre la machine en marche, retirer cravate, bagues, montre ou autres bijoux et retrousser les manches jusqu'aux coudes.

Enlever tous vêtements flottants et nouer les cheveux longs.

**Porter des chaussures de sécurité**, surtout pas de tenue de loisirs ou de sandales.

Porter un équipement de sécurité personnel pour travailler à la machine.

- des lunettes protectrices,
- une protection acoustique
- une masque anti poussières.



Ne pas porter de gants.



Placer la machine de sorte à laisser un espace suffisant pour la manœuvre et le guidage des pièces à usiner.

Veiller à un éclairage suffisant.

Placer la machine sur une surface stable et plat.

S'assurer que le câble d'alimentation ne gêne pas le travail ni ne risque de faire trébucher l'opérateur.

Conserver le sol autour de la machine propre, sans déchets, huile ou graisse.

Prêter une grande attention à votre travail et rester concentré.

Eviter toute position corporelle anormale.

Veiller à une position stable et garder un bon équilibre à tout moment.

Ne pas travailler sous l'influence de drogues, d'alcool ou de médicaments.



Ne jamais mettre la main dans la machine pendant le travail.



Eloigner de la machine toutes personnes incompetentes surtout les enfants.

Ne jamais laisser la machine en marche sans surveillance. Arrêter la machine avant de quitter la zone de travail.

Ne pas mettre la machine à proximité de liquides ou de gaz inflammables.

Tenir compte des possibilités de prévention et de lutte d'incendie, par ex. lieu et utilisation des extincteurs.

Préserver la machine de l'humidité et ne jamais l'exposer à la pluie.

Utiliser un collecteur de poussières afin d'éviter une production de poussières trop élevée.

La poussière de bois est explosive et peut être nocive pour la santé.

Les poussières de certains bois exotiques et de bois durs, tels que le hêtre et le chêne sont classées comme étant cancérigènes.

Retirer les clous et autres corps étrangers de la pièce avant de débiter l'usinage.

Bien tenir et mener avec les deux mains l'outil de tournage pendant le travail.

Travailler seulement avec des outils bien aiguisés.

N'usiner que des pièces qui se peuvent bien être serrés dans la machine. Toujours vérifier cela avant de la mettre en route.

Percer le centre des deux côtés de la pièce avant de la serrer entre les contre-pointes.

Ne travailler les pièces grandes et déséquilibrées qu'à une vitesse lente.

Pour les travaux de ponçage, retirer le support

Ne jamais utiliser de pièces fendues.

Ne travailler que des pièces homogènes.

Vérifier soigneusement que la pièce est exempte de fissures, de branches lâches ou d'autres défauts qui pourraient présenter un danger.

Eloigner la clé de serrage ou les goupilles avant de mettre la machine en marche.

Toujours fermer la protection de la courroie.

Se tenir aux spécifications concernant la dimension maximale ou minimale de la pièce à usiner.

Après chaque procédure de fixation, tourner la pièce à la main et contrôler la fixation et la rotation impeccables. Démarrer la machine avec la plus petite vitesse.

Ne pas enlever les copeaux et les pièces usinées avant que la machine ne soit à l'arrêt.

Ne jamais freiner une pièce à la main.

Manier le blocage de l'arbre seulement quand celui-ci ne bouge plus.

Ne jamais prendre les mesures d'une pièce en rotation.

Ne pas se mettre sur la machine.

Tous les travaux de branchement et de réparation sur l'installation électrique doivent être exécutés uniquement par un électricien qualifié.



Remplacer immédiatement tout câble endommagé ou usé.

Faire tous les travaux de réglage ou de maintenance seulement après avoir débranché la machine du réseau.



Avant de mettre la machine en marche, contrôler chaque fois que les poignées et les leviers sont bien serrés.

### 3.3 Risques

Même en respectant les directives et les consignes de sécurité les risques suivants existent.

Risque de blessures par la pièce en rotation.

Les pièces non homogènes peuvent exploser en raison de la force centrifuge.

N'utiliser que des bois choisis sans défauts.

Des pièces déséquilibrées cachent un risque de blessures.

Danger de blessures par un travail incertain, un support monté inexactement et un outil de tournage défectueux ou usé.

Danger d'éjection. L'outil se fait accrocher par la pièce en rotation et est éjecté contre l'utilisateur.

Danger de pièces éjectées.

Risque de nuisances par poussières de bois, copeaux et bruit. Porter des équipements de sécurité personnels tels que lunettes, cache-visage pour travailler à la machine. Utiliser un collecteur de poussières! Veiller à une bonne aération.

Danger par câble électrique endommagé, usé ou mal branché.

## 4. Spécifications

### 4.1 Description de la machine

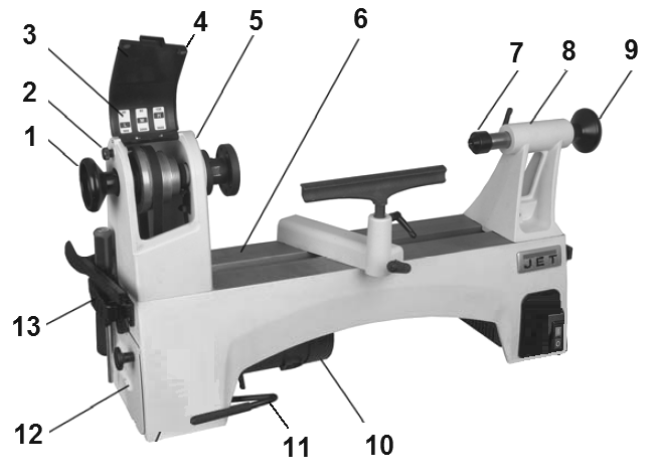


Fig 1

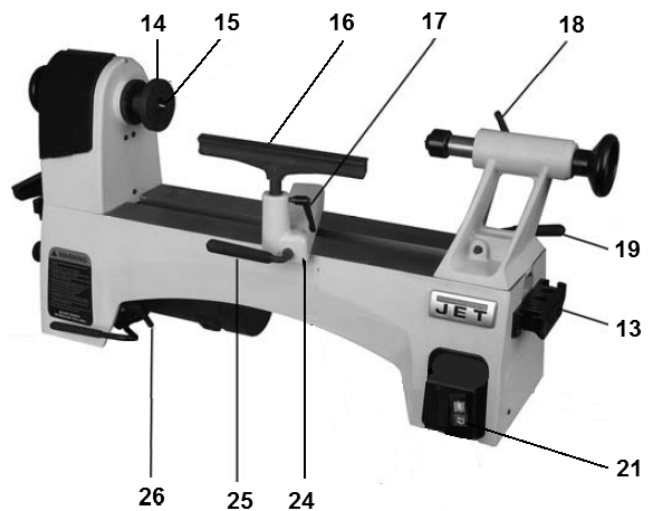


Fig 2

- 1 Volant de la broche
- 2 Dispositif diviseur de la broche
- 3..Affichage du nombre de tours
- 4..Cache-courroie supérieur
- 5 Corps de poupée fixe
- 6 Châssis
- 7..Pointeau
- 8 Contre-poupée
- 9 Volant de contre-poupée
- 10 Moteur
- 11..Tendeur de courroie
- 12 Cache-courroie inférieur
- 13..Porte outils – Range câble
- 14 Plaque de fixation
- 15 Pointe de centrage
- 16 support d'outil
- 17 Fixation du support d'outil
- 18..Fixation broche de contre-poupée
- 19 Levier de serrage de contre-poupée
- 21 Bouton marche/arrêt
- 24 Base du support d'outils
- 25 Levier de serrage de la base du support d'outils
- 26 Détendeur de courroie

## 4.2 Indications techniques

Diamètre de tour au-dessus de la feuille	318mm
Diamètre de tour au-dessus porte-outils	240mm
Ecartement des pointes	500mm
Niveaux de courroie	6
	360, 850, 1230, 1510, 2180, 3280 T/min
Nez de broche	M33x3,5 DIN 800
Conicité de la broche de la poupée fixe	CM2
Division de l'arbre	24x15°
Alésage broche	9,5mm
Contre-poupée en cône	CM2
Fourreau de contre-poupée avec perçage	9,5mm
Course du canon de contre-poupée	57mm
Hauteur des pointes sur le banc	375mm
Dimensions de la machine(Lxlxh)	853x280x450mm
Poids net	55 kg
Voltage	1~230V, PE, 50Hz
Puissance	0,56 kW (0,75 CV)
Courant électrique	2,7 A
Raccordement (H07RN-F):	3x1,5 mm <sup>2</sup>
Fusible du secteur électrique	10A
Classe Isolation	I

## 4.3 Emission de bruit

Niveau de pression sonore (EN ISO 11202):	
Machine à vide	LpA 67,4 dB(A)
Usinage	LpA 76,5 dB(A)

Les indications données sont des niveaux de bruit et ne sont pas forcément les niveaux pour un travail sûr. Ainsi l'utilisateur doit estimer les dangers et les risques possibles.

## 4.4 Contenu de la livraison

Contre-pointe tournante  
Pointe d'entraînement  
Éjecteur  
Porte-outils, range-câble  
Support d'outil 150 mm  
Support d'outil 250 mm  
Plateau circulaire 75 mm  
Outils  
Mode d'emploi  
Liste pièces de rechange

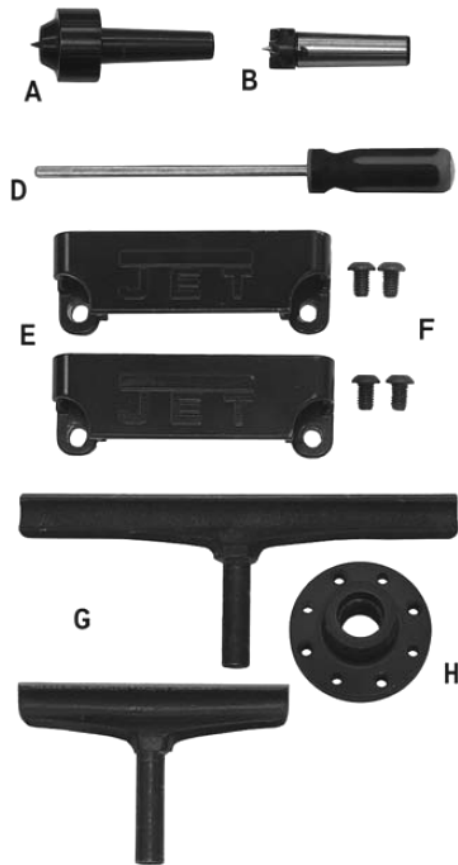


Fig. 3

## 5. Transport et mise en exploitation

### 5.1 Transport et installation

Effectuer le montage de la machine dans un local fermé. Placer la machine sur une surface stable et plate.

Pour assurer un travail en toute sécurité sur la machine, il faut qu'elle soit vissée à l'établi ou au socle fourni en option.

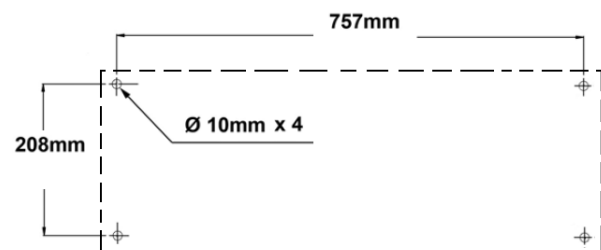


Fig 4

Pour des raisons techniques d'emballage la machine n'est pas complètement montée.

## 5.2 Montage

Avertir immédiatement votre vendeur si vous constatez des pièces endommagées par le transport et ne pas monter la machine.

Éliminer l'emballage en respectant l'environnement.

Enlever la protection antirouille avec un dissolvant.

### Montage des paniers à outils :

Fixer les porte-outils avec 2 vis à tête goutte de suif à chaque extrémité de la table (Fig 5).



Fig 5

## 5.3 Raccordement électrique

Le raccordement ainsi que les rallonges utilisées doivent correspondre aux instructions.

Le voltage et la fréquence doivent être conformes aux données inscrites sur la machine.

Le fusible de secteur électrique doit avoir 10A.

Utiliser pour le raccordement des câbles H07RN-F.

Tous travaux de branchement et de réparation sur l'installation électrique doivent être exécutés uniquement par un électricien qualifié.

## 5.4 Racc. au collecteur de poussières

Utilisez un système de récupération des poussières et de filtration de l'air adapté pour éviter une concentration importante de poussières dans l'air.

## 5.5 Mise en service

Mettre la machine en route avec le bouton vert (B, Fig 6).



Fig 6

Pour arrêter le mouvement appuyer sur le bouton d'arrêt rouge (C).

Attendre jusqu'à ce que la pièce d'œuvre ne tourne plus.

6 plages de vitesses de rotation sont disponibles par déplacement de la courroie (Fig 7).

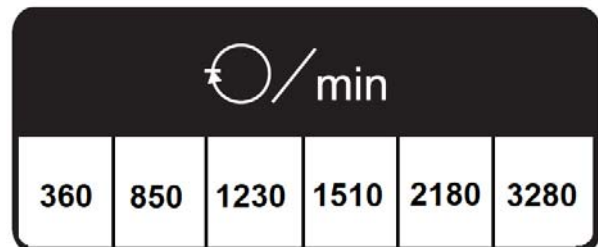


Fig 7

### Attention:

Avant d'inverser le sens de rotation de la broche, s'assurer que l'accessoire de serrage est bien assuré contre le déroulement. Resserrer les 2 vis sans tête.

Avant de mettre la machine en marche, positionner chaque fois la poignée tournante (A) sur la position la plus lente. Ne jamais mettre la machine en marche avec la vitesse la plus élevée.

## 6. Fonctionnement de la machine

### 6.1 Position correcte de travail

Toujours mener l'outil de tournage posé sur le support d'outil. Garder les doigts fermés et s'appuyer avec la main sur le support (Fig. 8).



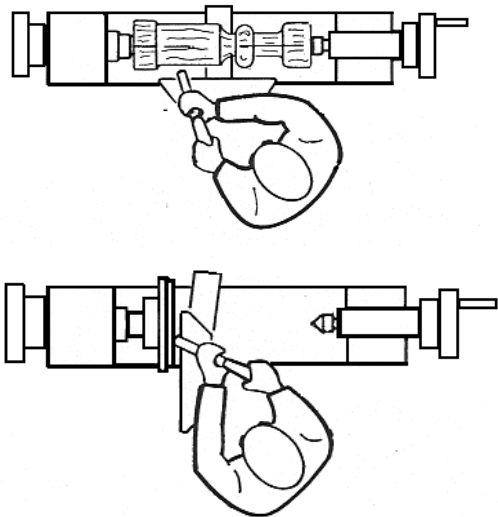


Fig 8

## 6.2 Choix des outils

Le succès du tournage ne dépend pas des grandes vitesses, mais de l'utilisation conforme des outils de tournage.

Une condition pour un tournage correct est un outil impeccable et aiguisé.

### Les outils principaux

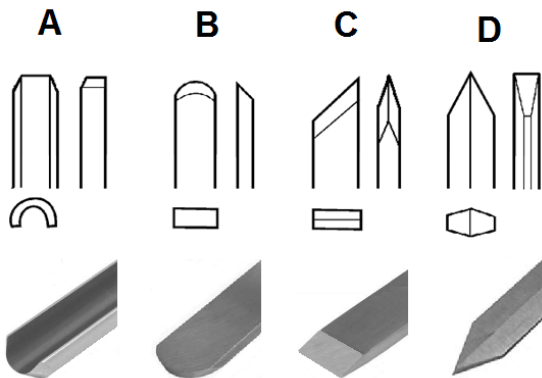


Fig 9

**La gouge (A, Fig. 9)**, Outil le plus important, il sert au dégrossissage, au creusage des bols et assiettes et au tournage de rétrécissements (Fig. 10).

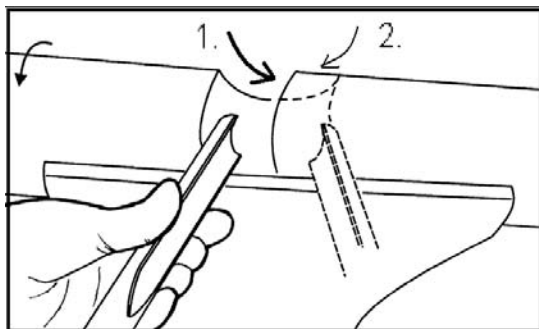


Fig. 10

**Le racloir (B, Fig. 9)**. Sert au calibrage intérieur et extérieur et à l'élimination des stries d'usinage.

**Le biseau (C, Fig. 9)**. Sert au tournage de rainures en V et au calibrage extérieur.

Tenir le tranchant parallèlement au sens de la coupe (Fig. 11).

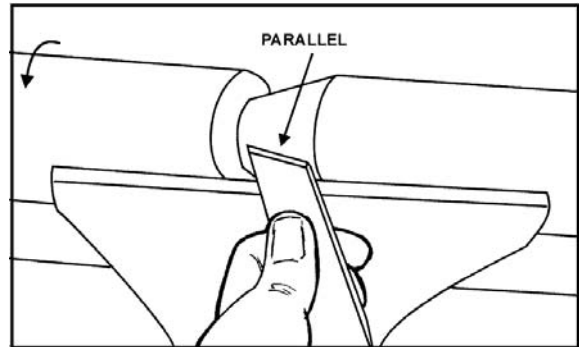


Fig 11

**Le piquet (D, Fig. 9)**. Sert au travail direct dans la pièce d'œuvre, par ex. pour détalonner et pour délimiter. Il peut aussi servir de racloir.

## 6.3 Sélection de la vitesse

Ne travailler les pièces grosses ou les pièces non équilibrées qu'avec des vitesses lentes.

En cas de vibrations arrêter la machine et corriger le problème.

### Recommandations pour la vitesse

Pièce mm	Dégrossir T/min	Coupes générales T/min	Finition T/min
< 50	1510	2180	3280
50-100	850	1510	2180
100-150	850	1230	1510
150-200	360	850	1230
200-320	360	360	850

Fig 12

## 6.4 Tournage entre pointes

Marquer et poinçonner les 2 extrémités de la pièce. Pour les bois durs, il se peut que des entailles du côté de la poupée fixe soient nécessaires (voir Fig. 13).

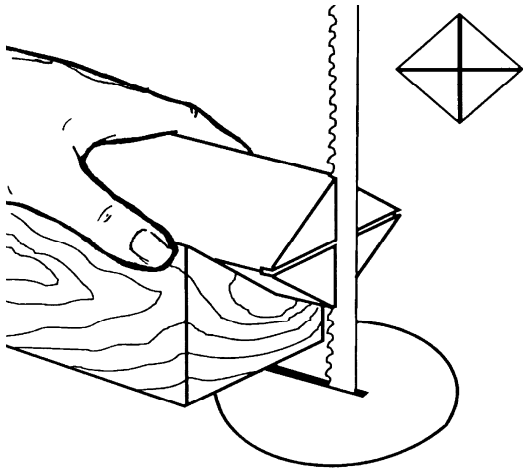


Fig. 13

Serrer la pièce centrée entre la pointe de centrage et la contre-pointe tournante de la contre-poupée.

Tourner le volant de la contre-poupée jusqu'à ce que la contre-pointe tournante soit bien introduite dans la pièce. Retourner le volant en sens inverse d'un quart de tour et serrer le fourreau de contre-poupée.

Tourner la pièce à la main et contrôler la fixation et la rotation impeccable.

Pour un travail entre les pointes ajuster la hauteur du support-outil env. 3 mm au-dessus de la hauteur des pointes (Fig. 14 et 15).

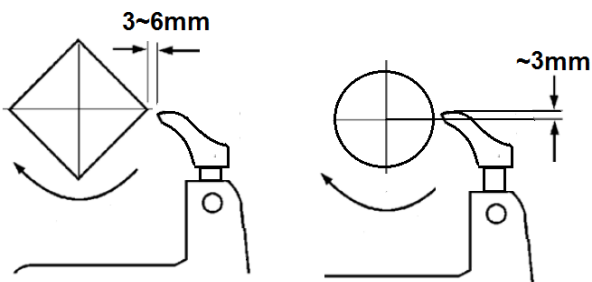


Fig 14



Fig 15

## 6.5 Tournage des formes creuses

Tourner le contour extérieur entre les pointes.

Le tournage d'une petite cheville (A, Fig. 16) du même diamètre intérieur que le plateau circulaire facilite le positionnement central de la pièce d'œuvre lors de la 2e fixation.

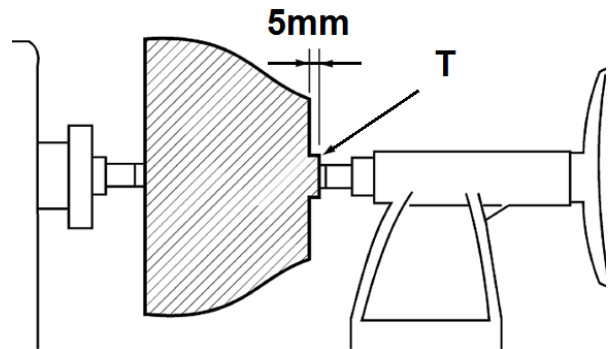


Fig. 16

Fixer la pièce à usiner (A, Fig. 17) avec 4 vis à bois (C) par derrière directement sur le plateau circulaire. Bien choisir les vis. Des vis trop longues débordent dans la zone de travail et des vis trop courtes ne garantissent pas une bonne fixation.

Si la fixation par vis n'est pas possible, la pièce peut également être collée sur un support circulaire (D) pouvant être vissé sur le plateau circulaire.

En collant du papier entre les deux, vous évitez d'endommager la pièce en la retirant après.

Visser le plateau circulaire, sur lequel la pièce est déjà fixée, sur le nez de broche et serrer à la main.

Faire bouger la contre-poupée vers la droite, retirer la contrepointe tournante ou le mandrin pour éviter tous risques de blessures.

Tourner la pièce à la main et contrôler la fixation et la rotation impeccable.

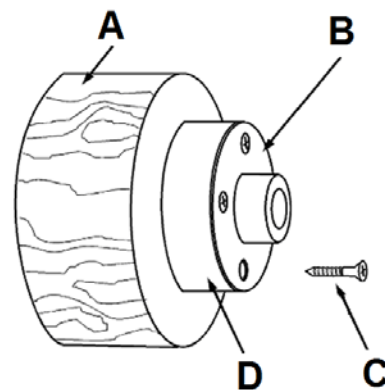


Fig 17

Pour un travail avec le plateau circulaire, ajuster la hauteur du support-outil légèrement en dessous de la hauteur des pointes.

### Attention:

Ne travailler avec l'outil de tournage que sur la partie gauche du centre de rotation.

Conduire la gouge avec la main gauche pendant que la main droite oscille vers le corps (Fig. 18).

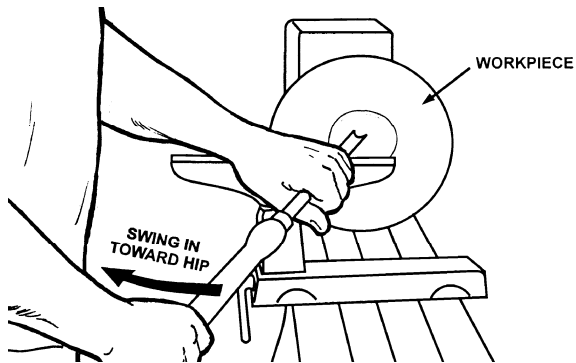


Fig 18

Essayez le plus possible de tourner d'un seul mouvement léger et continu du bord vers le fond du bol pour obtenir une courbe nette et lisse.

Déplacez le support d'outil vers l'extérieur pour finaliser le tournage du fond du bol.

### 6.6 Poncer et imprégner

Retirer le support d'outil.

Commencer le travail avec du grain 120 puis utiliser du grain de plus en plus fin.

Utiliser de préférence des outils de ponçage mécaniques afin d'éviter des rainures concentriques,

Arrêter le travail avec le grain 220.

Imprégner une 1ère fois et laisser sécher.

Terminer le ponçage avec le grain 320 ou 400.

Séparer peu à peu la pièce de la cheville avec un ciseau. (pour les diamètres inférieurs à 80 mm, utiliser une petite scie à main).

Imprégner une 2e fois et laisser sécher.

Terminer le polissage de la surface.

## 7. Réglages

### Attention

Faire tous les travaux de maintenance ou de réglage après avoir débranché la machine du réseau.

Avant de mettre la machine en marche, contrôler chaque fois que les poignées et les leviers sont bien serrés.

### 7.1 Changement des vitesses

Déconnecter la machine du réseau !

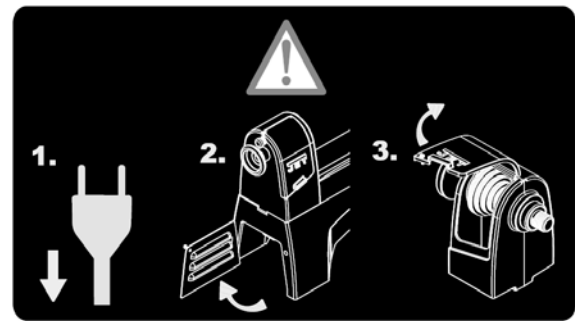


Fig 19

Desserrer la vis de sécurité et ouvrir le cache-courroie inférieur

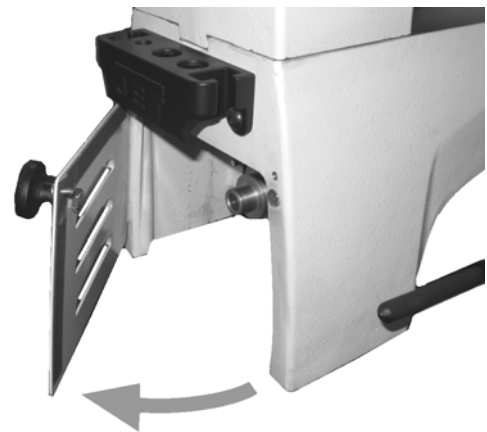


Fig 20

Desserrer la vis de sécurité et ouvrir le cache-courroie supérieur



Fig 21

Détendre la courroie. Pour cela, tirer sur la poignée (F, Fig 22) et soulever le moteur avec le levier (G).

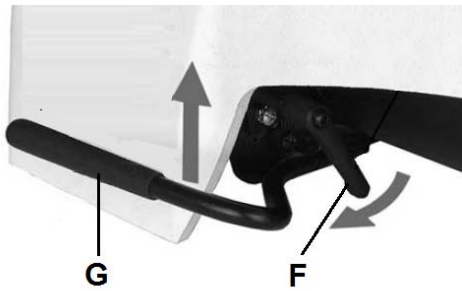


Fig 22

Positionner la courroie à la vitesse souhaitée (Indication des vitesses voir le cache-courroie).

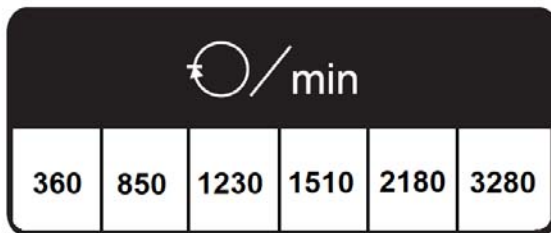


Fig 23

Contrôler la position correcte de la courroie.

Tendre la courroie. Pousser le levier (G) vers le bas.

Fermer les cache-courroies et sécuriser avec des vis.

**⚠ ATTENTION**  
**Pendant l'usinage, toujours tenir le cache courroie fermé.**

## 7.2 Installation du dispositif de fixation

Déconnecter la machine du réseau !

**Le plateau circulaire** sert au tournage des bols et des assiettes.

De nombreux trous y sont percés afin de fixer la pièce d'œuvre.

Montage:

Vérifier que les 2 vis sans tête (B, Fig 24) sont dévissés

Appuyer sur le dispositif d'arrêt de broche (A).

Visser le plateau circulaire sur la broche dans le sens des aiguilles d'une montre et le bloquer avec 2 vis sans tête (B).

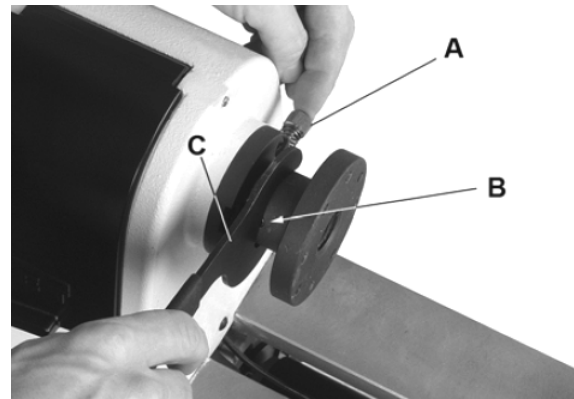


Fig 24

Démontage:

Desserrer les 2 vis sans tête (B) avant de dévisser le plateau circulaire.

Bloquer la broche, pour cela utiliser la clé (C) livrée avec la machine.

**La pointe de centrage** est utilisée pour serrer une pièce entre les pointes.

Vérifier que les surfaces coniques sont propres.

Introduire la pointe de centrage dans le cône de broche.



Fig 25

Pour le démontage, utiliser l'éjecteur.

Tenir la pointe de centrage avec la main pour qu'elle ne tombe pas (Fig 26).



Fig 26

**La contrepointe tournante** est utilisée pour serrer une pièce entre les pointes.

Vérifier que les surfaces coniques sont propres.

Introduire la contrepointe tournante dans la broche de contre-poupée.



Fig 27

La contrepointe tournante peut être éjectée en tournant le volant dans le sens inverse des aiguilles d'une montre (Fig 27).

### 7.3 Réglage du support-outil

Positionnez le support-outil (C, Fig 28) aussi près que possible de la pièce et fixer la position avec la poignée (A).

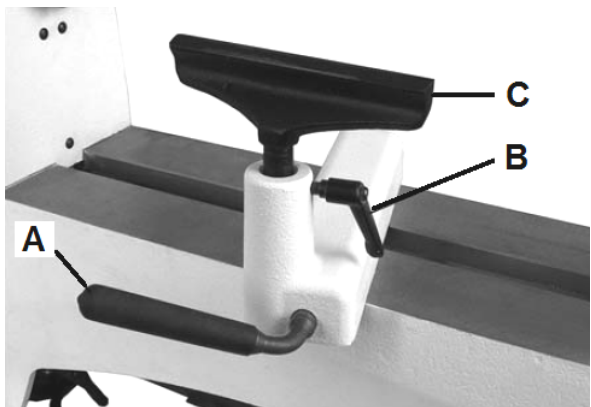


Fig 28

Ajuster la hauteur env. 3mm au-dessus de la hauteur des pointes et fixer par le levier de serrage (B).

### 7.4 Réglage de la contre-poupée

Tourner le volant (E, Fig. 29) dans le sens des aiguilles d'une montre pour sortir le fourreau et bloquer le levier de serrage (D).



Fig 29

La poignée (C) fixe la contre-poupée au châssis de la machine.

Le pointeau peut être éjecté en tournant le volant dans le sens inverse des aiguilles d'une montre.

Pour le forage de trous profonds on peut enlever la pointe de centrage.

**Attention:** Ne jamais positionner la contre-poupée au-delà du châssis. Ceci réduirait le contact et augmenterait les risques de blessures.

### 7.5 Division de la broche de la poupée fixe

La division de la broche permet d'encliqueter la broche à des distances régulières.

Dans la poulie à courroie il y a 24 perforations distantes de 15° dans lesquelles la goupille d'index s'encliquète.

Il est facile de repérer la répartition grâce aux numéros figurant sur la poulie (H, Fig 30).

Pour cela, visser la goupille d'index (J, Fig 30) sur le corps de poupée fixe, jusqu'à ce qu'elle s'encliquète dans une perforation.

Remarque :

On peut aussi utiliser une clé de 3 mm pour vis à 6 pans creux (K).

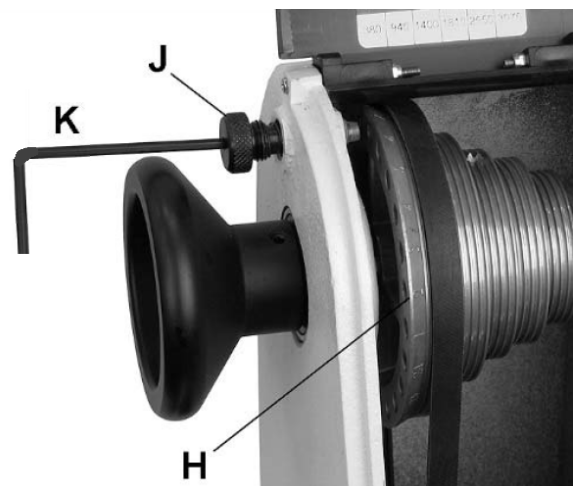


Fig 30

**Remarque:**

Débloquer la goupille d'index avant de mettre la machine en route.  
Ne jamais appuyer sur la goupille d'index quand la broche est en rotation.

**8. Entretien et inspection**

**Attention**

**Faire tous les travaux de maintenance, réglage ou nettoyage après avoir débranché la machine du réseau !**

Nettoyer la machine régulièrement.  
(Porter des protections pour les yeux et un masque de respiration).

Vérifier chaque jour le fonctionnement impeccable du collecteur de poussières.

Protéger la broche, la broche de contre-poupée, le support d'outils et le châssis de la machine avec une fine couche d'huile ou avec un spray anticorrosion.

Remplacer immédiatement les dispositifs de protection endommagés ou usés.

Tous travaux de branchement et de réparation sur l'installation électrique doivent être exécutés uniquement par un électricien qualifié.

**8.1 Réglage de fixation**

Si un réglage ultérieur est nécessaire, repousser la contre-poupée ou le support à l'extrémité du châssis et régler légèrement l'écrou (B, Fig. 31).

Vérifier l'effet de serrage et repasser si nécessaire.

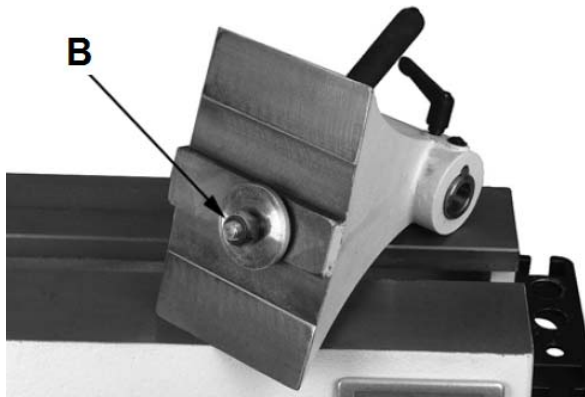


Fig 31

**8.3 Changement de la courroie**

Déconnecter la machine du réseau !

Ouvrir les cache-courroies et retirer la courroie Poly-V de la poulie.

Retirer le volant (A, Fig 33) après avoir desserré les 2 vis sans tête (B).

Attention : Filetage à gauche, Tourner dans le sens des aiguilles d'une montre.

Desserrer les 2 vis sans tête (C) de la poulie.

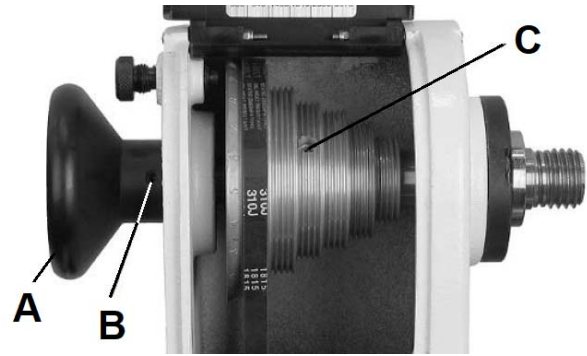


Fig 33

Dévisser le couvercle du palier (D, Fig 34).

Attention: l'indexeur de la broche (E) et le ressort s'éjectent.

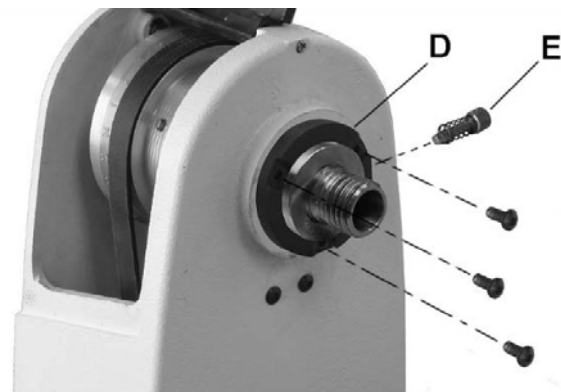


Fig 34

A l'aide d'un marteau en caoutchouc frapper la broche contre la contre-poupée (on peut aussi utiliser un morceau de bois dur ou de cuivre comme chassoir).

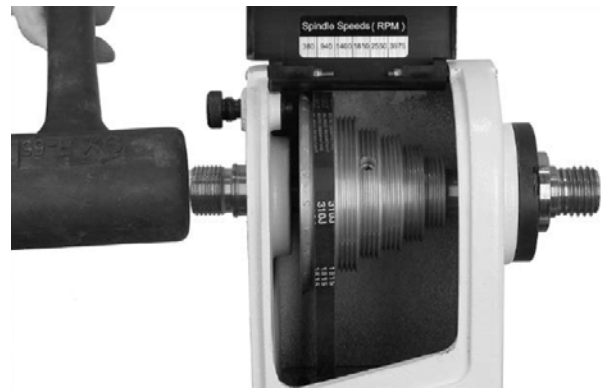


Fig 35

N'opérer que jusqu'à ce que la courroie puisse être retirée.



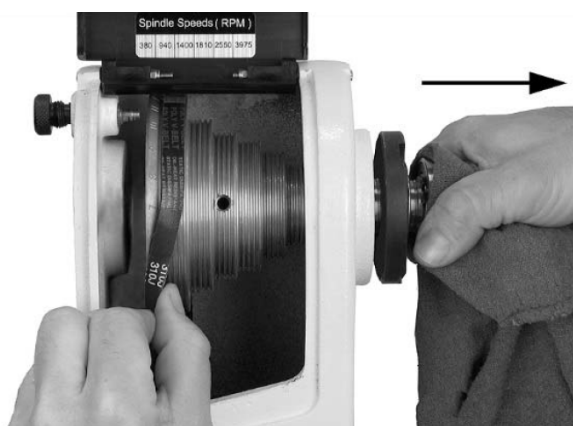


Fig 36

Le remontage s'effectue en sens inverse.

Remarque:

Pour ne pas surtendre le logement, ne pas trop serrer le volant.  
Placer le volant contre le palier, ensuite revenir un peu en arrière et fixer avec les vises sans tête.

## 9. Détecteur de pannes

### Moteur ne se met pas en route

\*Pas de courant-  
Vérifier le voltage.

\*Section transversale du câble trop faible-  
Contrôler l'alimentation

\*Défaut au moteur, bouton ou câble-  
Contacter un électricien qualifié

### Le moteur s'arrête ou ne démarre pas

\*Pas de courant-  
Contrôler le fusible du réseau.

\*Moteur, interrupteur ou câble défectueux-  
Contacter un électricien qualifié.

\*Usinage trop difficile-  
Réduire la coupe.

\*Tension insuffisante de la courroie-  
Retendre la courroie ou la changer

### Vibration violente de la machine

\*La machine n'est pas sur un sol plat-  
Repositionner la machine.

\*La pièce n'est pas centrée.

\*La vitesse est trop élevée.

\*Le montage du moteur est lâche-

### La contre-poupée se déplace sous l'effet de la charge

\*Le blocage de la table est insuffisant-  
Rajuster l'écrou (voir chapitre 8.1)

\*Les surfaces de table ou de contre-poupée sont grasses-  
Les dégraisser et remettre de l'antirouille

## 10. Protection de l'environnement

Protégez l'environnement !

Votre appareil comprend plusieurs matières premières différentes et recyclables. Pour éliminer l'appareil usagé, veuillez l'apporter dans un centre spécialisé de recyclage des appareils électriques.



Ce symbole indique une collecte séparée des équipements électriques et électroniques conformément à la directive DEEE (2012/19/UE). Cette directive n'est efficace que dans l'Union européenne.

## 11. Accessoires

### Numéro d'article 719201

Extension du banc 560mm (Fig. 37)



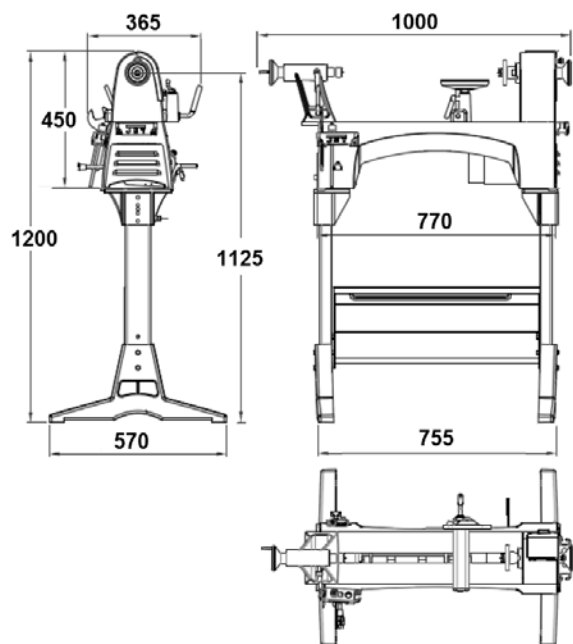
Fig 37

### Numéro d'article 719202

Socle de machine (Fig 38, Fig 39)



Fig 38

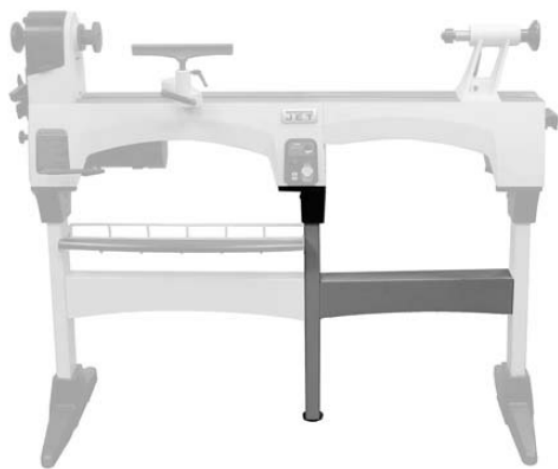


**Fig 39**

Dimensions de la machine avec socle

**Numéro d'article 719203**

Extension du socle de machine 560mm (Fig 40)



**Fig 40**

Outils et accessoires de serrage voir liste de prix JET.